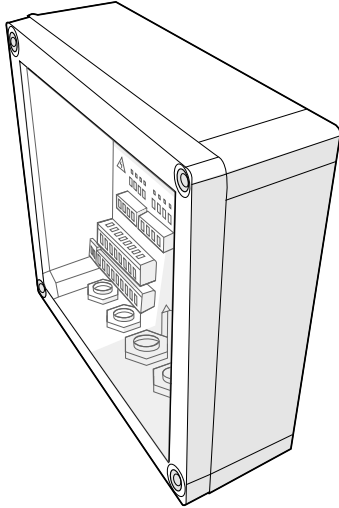




MACHINE INTERFACE MODULE

MULTIPLEX ACCESSORY



Description

The Machine Interface Module serves as a crucial interface between the washing machine and the control system. It receives incoming signals from the washer and translates them to activate the connected unit, ensuring smooth, efficient operations in an industrial laundry setting. Built with reliability in mind, the Machine Interface Module is designed to function seamlessly with a range of washing machine models, offering versatile compatibility and enhanced performance.

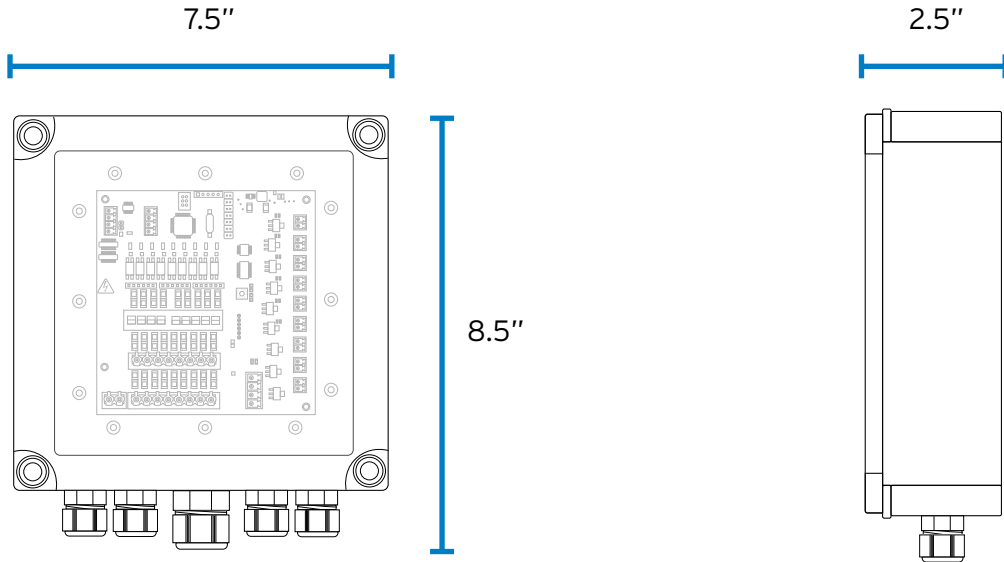
Technical Specifications

	Value
MATERIALS	Case: ABS Cable Glands: PVC Connectors: PA66
CONNECTORS	Terminal blocks 2-9 input
POWER	24V DC
SIGNAL VOLTAGE	High: 110-240V DC/AC Low: 10-24V DC
NUMBER OF SIGNALS	Up to 9

Details

Part Code	Description	Width	Height
A500WC1909	WASHER EXTRACTOR INTERFACE (9 INPUTS - 9 OUTPUTS)	7.5"	8.5"

Diagram



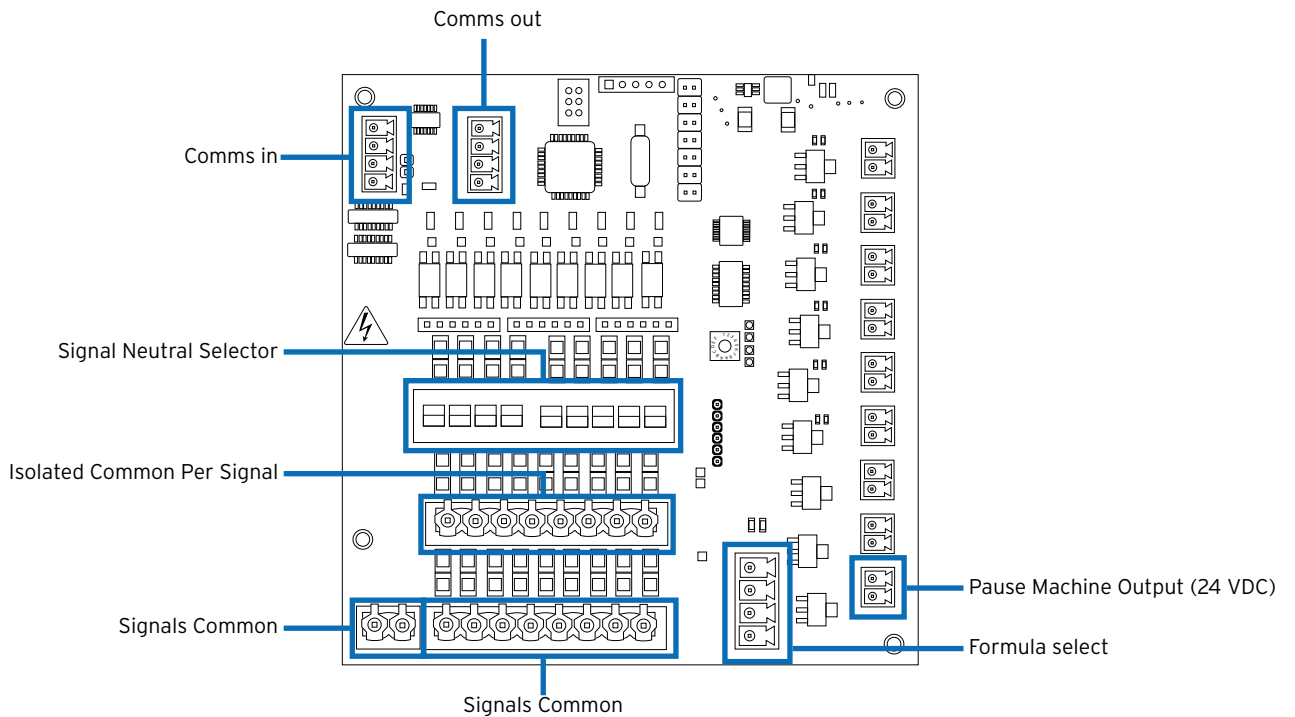
Dimensions (inches)

Width	Height	Depth
7.5"	8.5"	2.5"

Weight

1.75lbs (approx)

Connection



T (+1) 913-956-4909 E sales@brightwell-inc.com W brightwell-inc.com/

Brightwell Dispensers Inc. 9858 Britton Street, Lenexa, KS, 66219

All information in this data sheet is correct at the time of printing and is subject to change without notice.