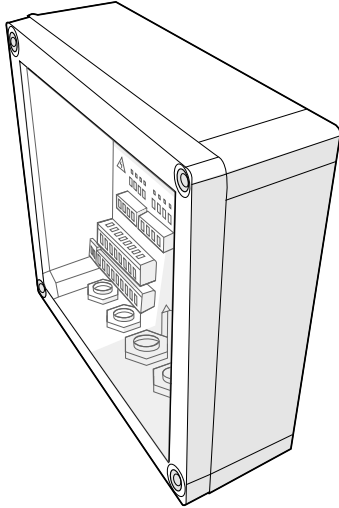




MACHINE INTERFACE MODULE

MULTIPLEX ACCESSORY



Description

Multiplex connection: The signal box/interface connects the washer with the Multiplex control unit, ensuring accurate dosing for efficient operations in industrial laundries.

- **Signals:** Translates activation signals from the washers to activate the Multiplex dosing unit, ensuring optimum performance. Can handle up to 9 input signals and 9 output signals.

- **Reliable and versatile:** Designed for perfect compatibility with various washing machine models.

- **Optional:** The interface is not necessary if the washer software can communicate directly with the Multiplex Gateway.

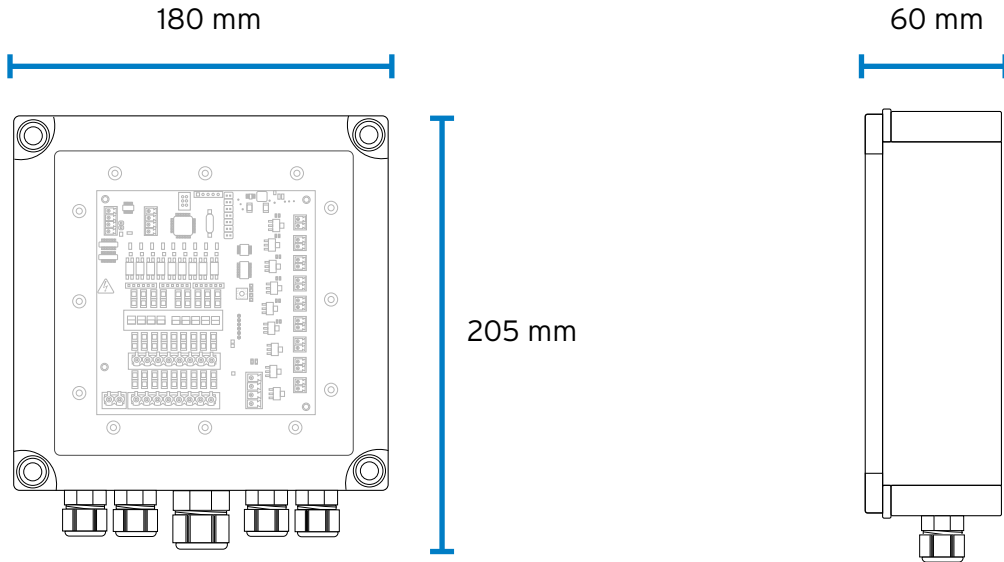
Technical Specifications

	Value
MATERIALS	Case: ABS Cable Glands: PVC Connectors: PA66
CONNECTORS	Terminal blocks 2-9 input
POWER	24V DC
SIGNAL VOLTAGE	High: 110-240V DC/AC Low: 10-24V DC
NUMBER OF SIGNALS	Up to 9

Details

Part Code	Description	Width	Height
A500WCI909	WASHER EXTRACTOR INTERFACE (9 INPUTS - 9 OUTPUTS)	180 mm	205 mm

Diagram



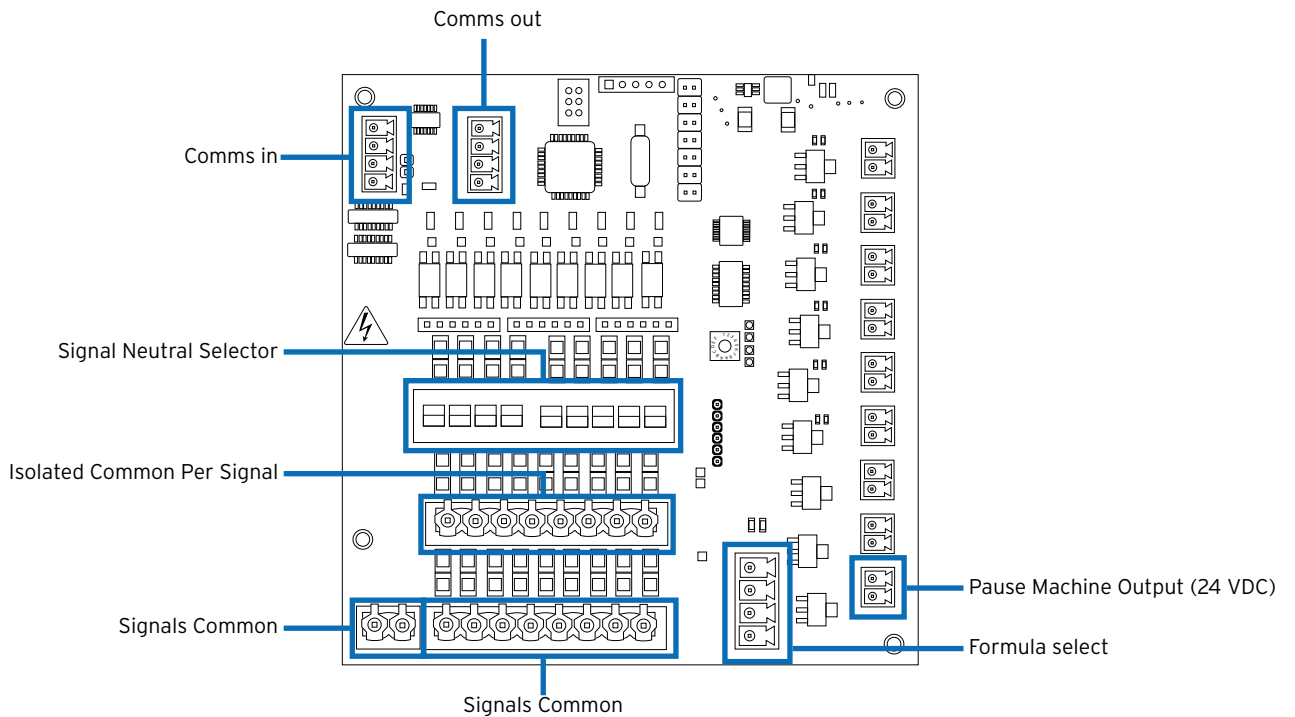
Dimensions (mm)

Width	Height	Depth
180	205	60

Weight

750g (approx)

Connection



T +44 (0) 1273 513566 E sales@brightwell.co.uk W brightwell.co.uk

Unit 1, Rich Industrial Estate, Avis Way, Newhaven, East Sussex, BN9 0DU, UK

All information in this data sheet is correct at the time of printing and is subject to change without notice.