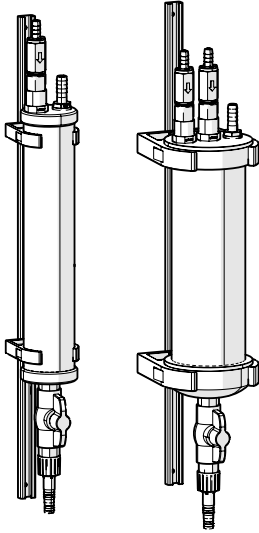




CALIBRATION VASE

MULTIPLEX ACCESSORY

PRODUCT DATA SHEET



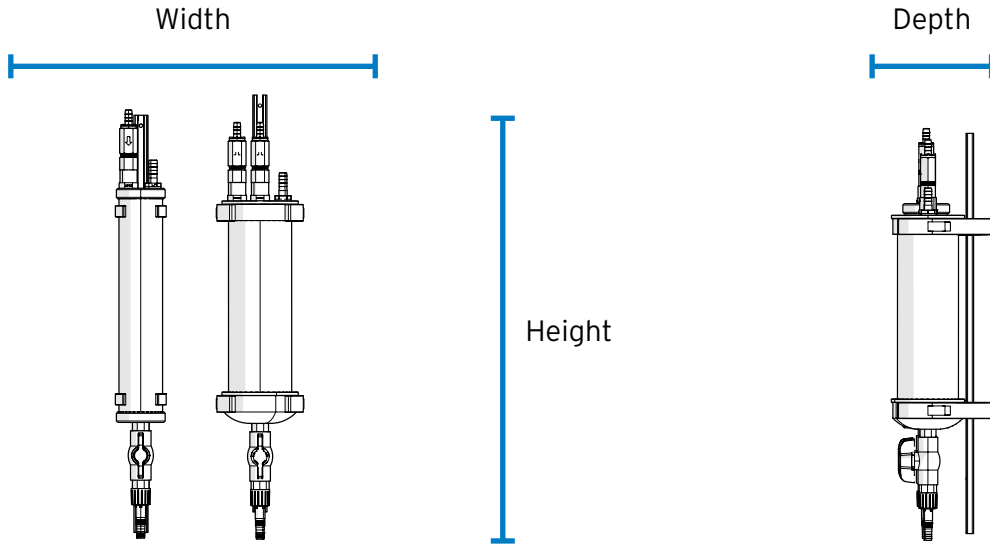
Description

The Calibration Vases are precision instruments designed for accurate liquid measurement and calibration in industrial settings. Available in both large and small sizes, these vases are essential for calibrating dosing systems and ensuring accurate liquid flow measurements. Built from durable, chemical-resistant materials, the Calibration Vases are ideal for repeated use in demanding environments such as industrial laundries and chemical dosing systems.

Technical Specifications

	Value
MATERIALS	PVC
TANK CAPACITY	700ml 1500ml
CONNECTOR	10mm barbed
NON RETURN VALVE	FKM

Diagram



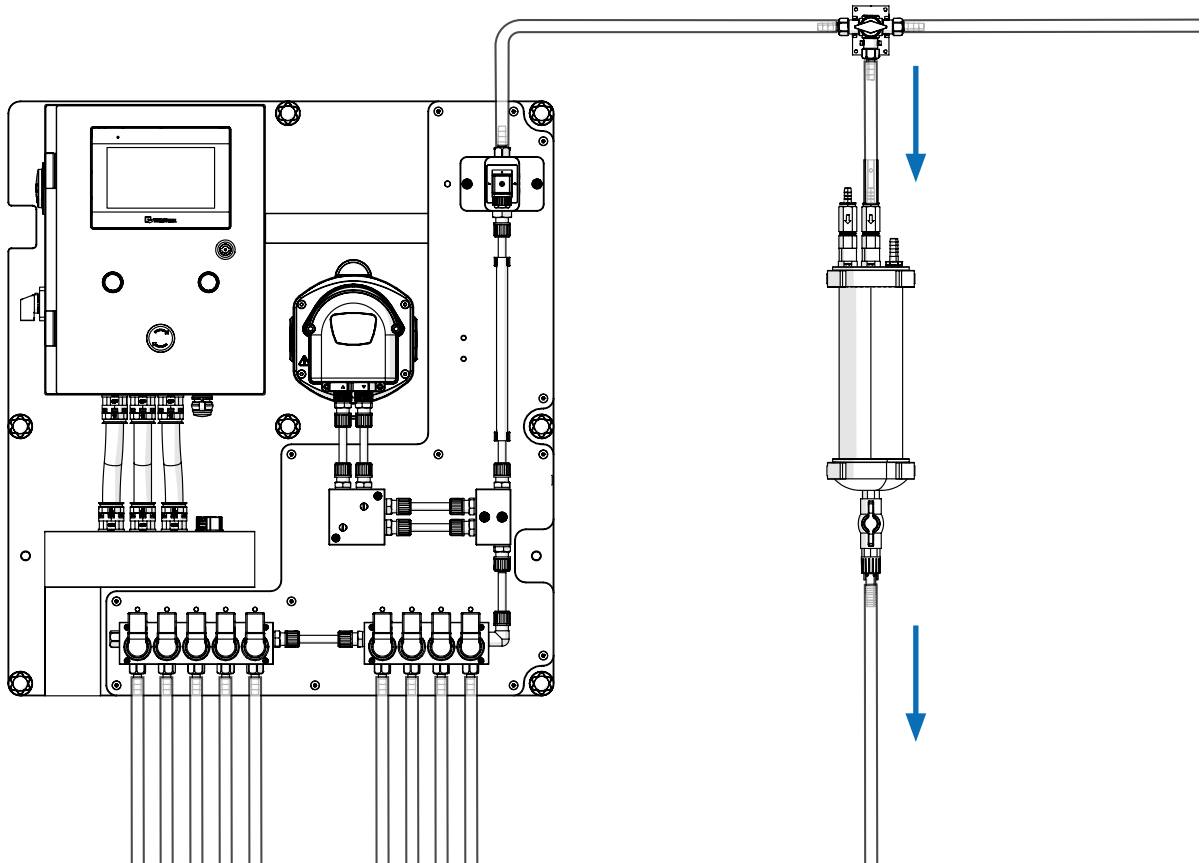
Dimensions (mm)

Model	Width	Height	Depth
1500	126	600	158
700	73	600	106

Weight

1500	2 kg
700	1.8 kg

Connection



T +44 (0) 1273 513566 E sales@brightwell.co.uk W brightwell.co.uk

Unit 1, Rich Industrial Estate, Avis Way, Newhaven, East Sussex, BN9 0DU, UK

All information in this data sheet is correct at the time of printing and is subject to change without notice.