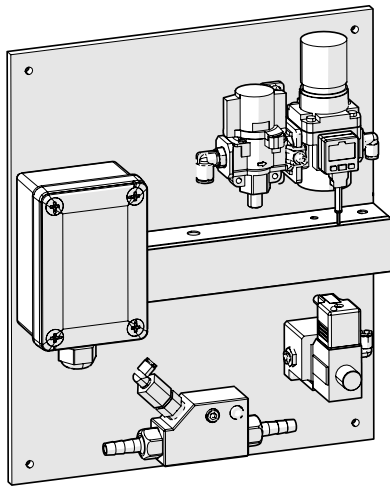




## AIR ASSIST MODULE MULTIPLEX ACCESSORY



### Description

The Air Assist Module is a versatile accessory compatible with the Multiplex 1 Pro, Multiplex 2, and Multiplex 2 Pro, designed to enhance efficiency by flushing products faster than water alone. After completing doses, the system performs a water flush, followed by an optional air flush using the module, ensuring quicker and more effective transfer to the washer extractor.

Featuring integrated pressure regulators and easy-to-use controls, the module delivers consistent airflow and reliable performance across applications. Built for industrial environments, it optimizes system efficiency while ensuring precise calibration.

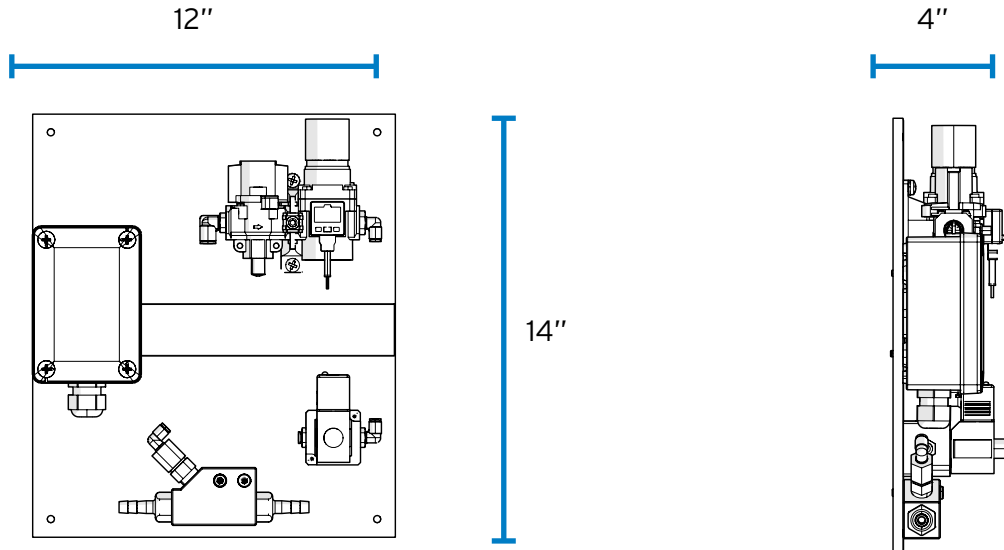
### Technical Specifications

		Value
AIR	Working pressure	36.50 PSI (max)
	Air intake	3/8" barbed connector
	Average consumption	25 cubic feet per minute
	Air entrainment	5/16 inch barbed connector
PANELS	Material	PVC
AIR INJECTOR	Body	PVDF
ELECTRO VALVE	Voltage	24 VDC
	Power	120W

### Details

Part Code	Description	Width	Height
A500AA	AIR ASSIST PANEL	300 mm	350 mm

# Diagram



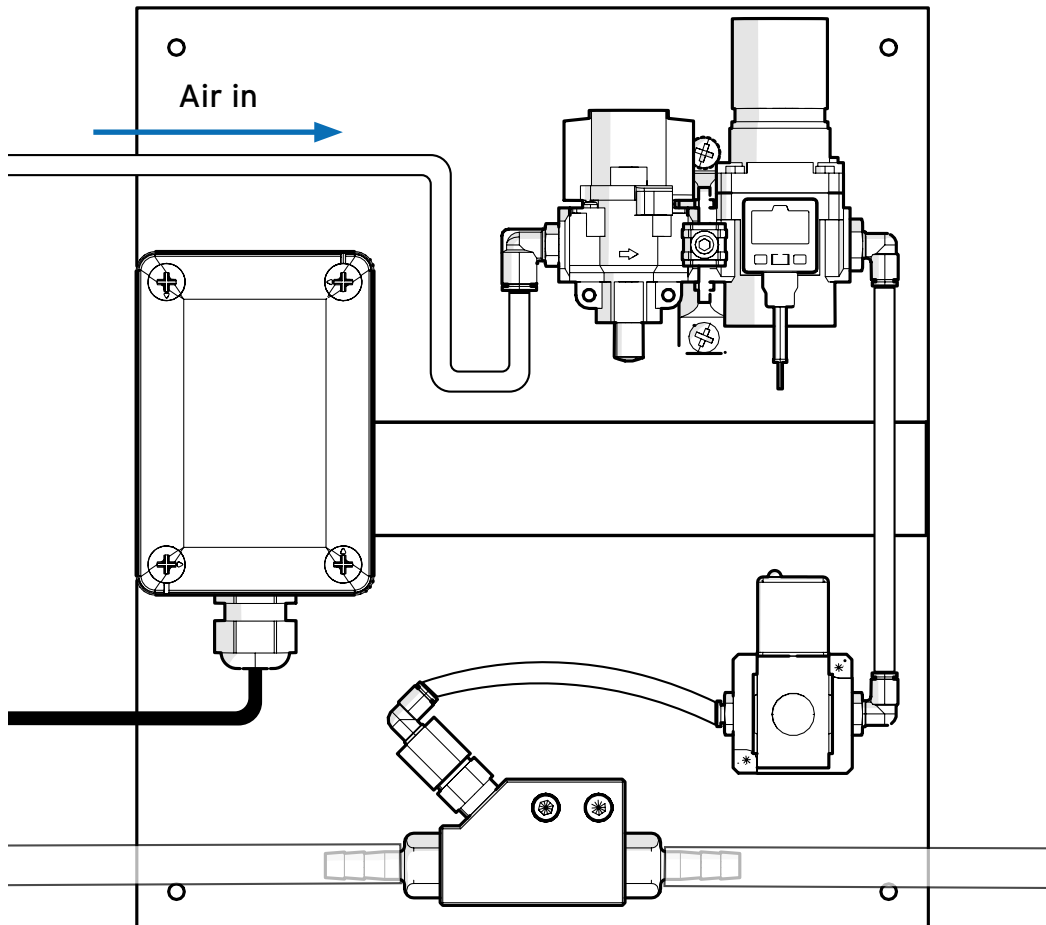
## Dimensions (inches)

Width	Height	Depth
12	14	4

## Weight

1.10 lbs (approx)

## Connection



T (+1) 913-956-4909 E sales@brightwell-inc.com W brightwell-inc.com/

Brightwell Dispensers Inc. 9858 Britton Street, Lenexa, KS, 66219

All information in this data sheet is correct at the time of printing and is subject to change without notice.