

# BRIGHTWELL



## MULTIPLY 2

INDUSTRIAL LAUNDRY DISPENSING SYSTEM  
(ELECTRIC)

INSTALLATION - SETUP - MAINTENANCE



# CONTENTS

GENERAL INFORMATION	3
TECHNICAL INFORMATION	5
MAIN UNIT	7
INSTALLATION AND CONNECTIONS	8
MOUNTING YOUR MULTIPLEX UNIT	10
CHEMICAL CONNECTION	13
BOOSTER TANK CONNECTION (OPTIONAL)	15
WIRING POWER FOR THE MULTIPLEX UNIT	16
MOUNTING YOUR EXPANSION CHANNEL	17
PCB CONNECTIONS FOR YOUR SIGNAL BOX	21
SIGNAL BOX CONNECTOR WIRING GUIDE	22
COMMS WIRING SIGNAL BOX	25
CONNECTING YOUR EXTERNAL DISTRIBUTOR	26
SIGNAL WIRING EXTERNAL DISTRIBUTOR	28
ELECTRICAL WIRING SUCTION RODS	29
CONNECTING YOUR UNIT TO THE INTERNET	30
ELECTRICAL CONNECTION TO EXTERNAL ALARM	31
ELECTRICAL CONNECTION EMERGENCY STOP	32
REPLACING A VALVE ON YOUR MULTIPLEX SYSTEM	33
MAINTENANCE	35

# GENERAL INFORMATION

## SAFETY INFORMATION



Wear protective clothing, gloves and safety glasses when installing our equipment or when handling chemicals. Follow the chemical manufacturer's guidelines for safety advice.



During maintenance work, depower the equipment whenever possible. Be aware of possible chemical residues that may remain on the various components of the equipment. Please flush the equipment with water before carrying out any work.

For information on the products used in this dispensing equipment, refer to the product label and the appropriate Material Safety Data Sheet (MSDS).



Caution! Risk of high voltage electric shock.



Electrical installation should only be carried out by trained personnel and in accordance with local electrical wiring regulations. Disconnect power to the unit and isolate it from any electrical source before servicing.



Do not supply power outside the limits indicated on the rating plate.



Please earth the safety equipment as this increases the dispenser's resistance to electrical noise.



Do not use damaged or frayed cables and prevent this from happening by using, when necessary, protective elements (cable glands, conduits, etc...).



The installation of the metering unit must be carried out according to the instructions in this manual.



Do not fix the unit on an unstable, uneven or non-vertical surface. Make sure that the different elements are well anchored. Do not place heavy objects on them.



This equipment works in a vertical position, with the control cabinet at the top left and the chemical products underneath the equipment. Do not install it in other positions.



Do not disassemble or modify this equipment, at the risk of losing the possibility of warranty. Replacement of components (pumps, pipes, valves,...) or modification of the system must only be carried out by qualified personnel.



Avoid running the system dry as this may cause damage to the dispensing pump(s).



Always ensure that chemicals are handled with care and that the dispensing equipment area is adequately ventilated.



Do not reach into the mechanisms

# GENERAL INFORMATION

## GUARANTEE

Your product comes as standard with a 2 year warranty from the date of manufacture, against manufacturing fault or defects and mechanical or electrical breakdown. Please visit our website for full terms and conditions.

[www.brightwell-inc.com](http://www.brightwell-inc.com)

## MULTIPLEX

Multiplex is part of the Brightwell proposal for the dispensing of chemical products in industrial laundries and is designed to serve any laundry with a maximum of **10 washing machines**, for a maximum daily production of **4850lbs**.

Multiplex is a single-pump unit, with an electric diaphragm pump and is designed for a maximum of **8 products**. It is possible to extend its capacities by adding additional panels with pump and suction to be able to dispense more products and with simultaneous pumps.

The design of the equipment is based on the parameters that govern the entire Multiplex range:

**Technical:** Industrial design and conception, with the integration of mechanical, electrical and electronic components conceived for continuous tasks and routines.

**Flexible:** It can be configured and controlled, "in situ" or remotely, from any device, without the need for special applications or programs.

**Secure:** Only company-authorized users have access to the equipment, defined by levels and with possible limitation of functions.

**Reliable:** Control elements and tools -software and hardware- to enable the precision required for dispensing in industrial laundries.

**Accurate:** Recording of all data to obtain detailed statistics for a correct analysis of consumption, costs, alarms, performance, and production allowing the prognosis and anticipation of possible problems.

**Efficient:** With routines -software- and elements -hardware- that seek your best performance and effectiveness.

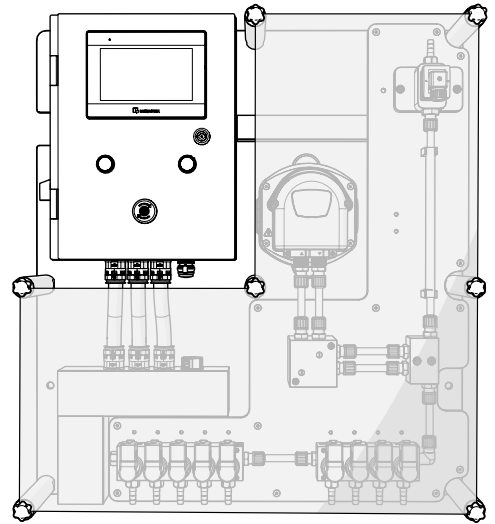


# TECHNICAL INFORMATION

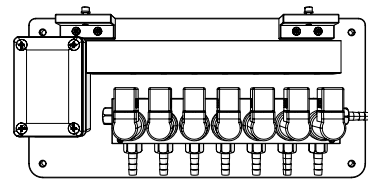
## UNIT

---

**MULTIPLEX 2**  
(MAIN UNIT)



**MULTIPLEX**  
DISTRIBUTOR (ELECTRIC)



**MULTIPLEX**  
SIGNAL BOX

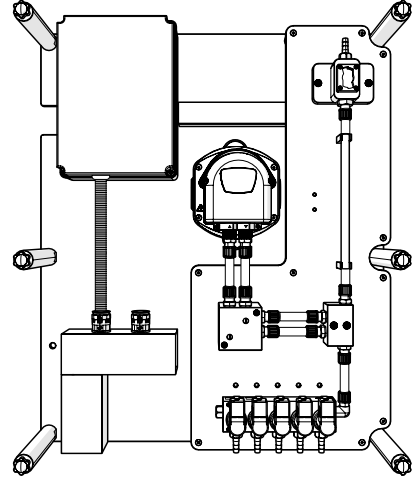


# TECHNICAL INFORMATION

## ACCESSORIES

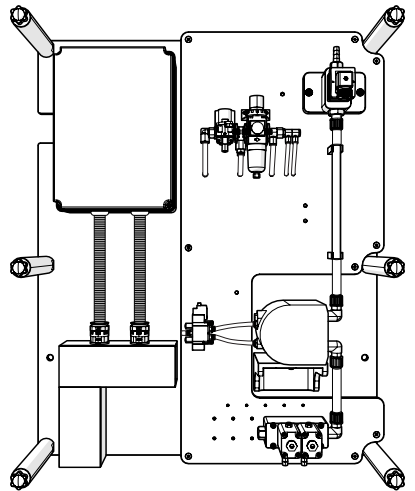
### MULTIPLEX

EXPANSION CHANNEL (ELECTRIC)



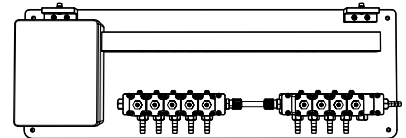
### MULTIPLEX

EXPANSION CHANNEL (PNEUMATIC)



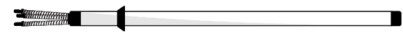
### MULTIPLEX

DISTRIBUTOR (PNEUMATIC)



### MULTIPLEX

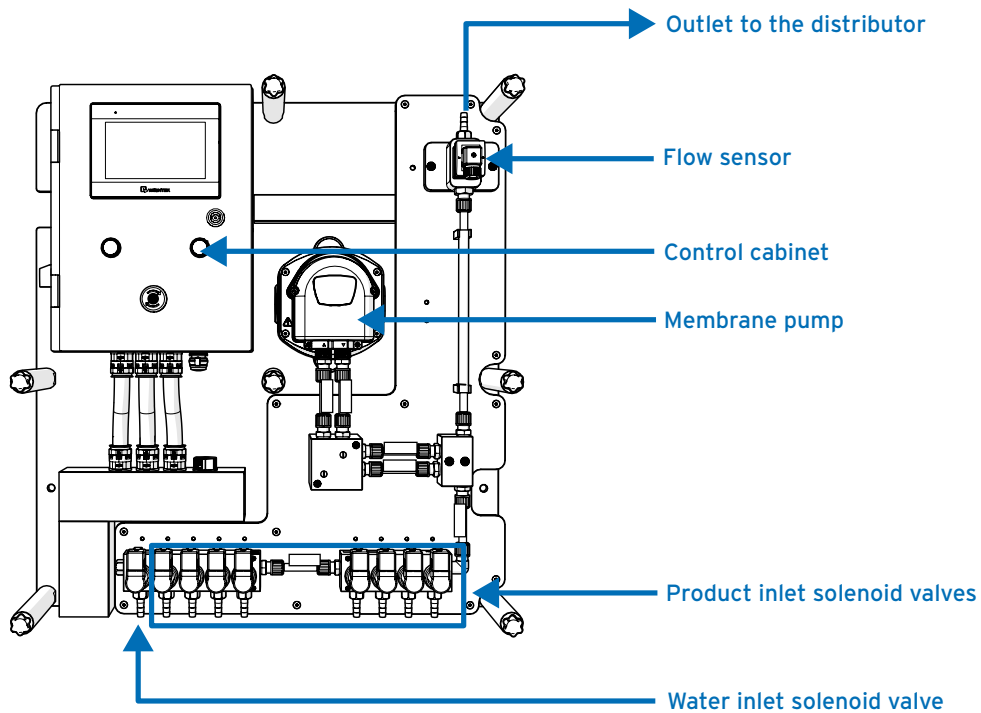
SUCTION ROD



\*Brightwell recommends the use of accessories designed to work with Multiplex equipment. Please ask our sales department for more details on these products.

# MAIN UNIT

The Multiplex main unit consists of a control cabinet with a touch screen, a battery of solenoid valves for water flow and product suction, a membrane pump and volumetric counter.



## SCREEN

The touch screen allows the configuration of the equipment, as well as the display of basic statistics. See the different concepts that allow the correct configuration of the equipment in the configuration manual.

## DISTRIBUTOR

This is the element that completes the “dispensing channel”. Its task is to direct, by opening the appropriate solenoid valve, the chemical products to the target washer.

The distributor can have a solenoid valve that facilitates the correct calibration of the products as it takes into account the pressure loss due to the distance and all the restrictions to which the fluid is subjected.

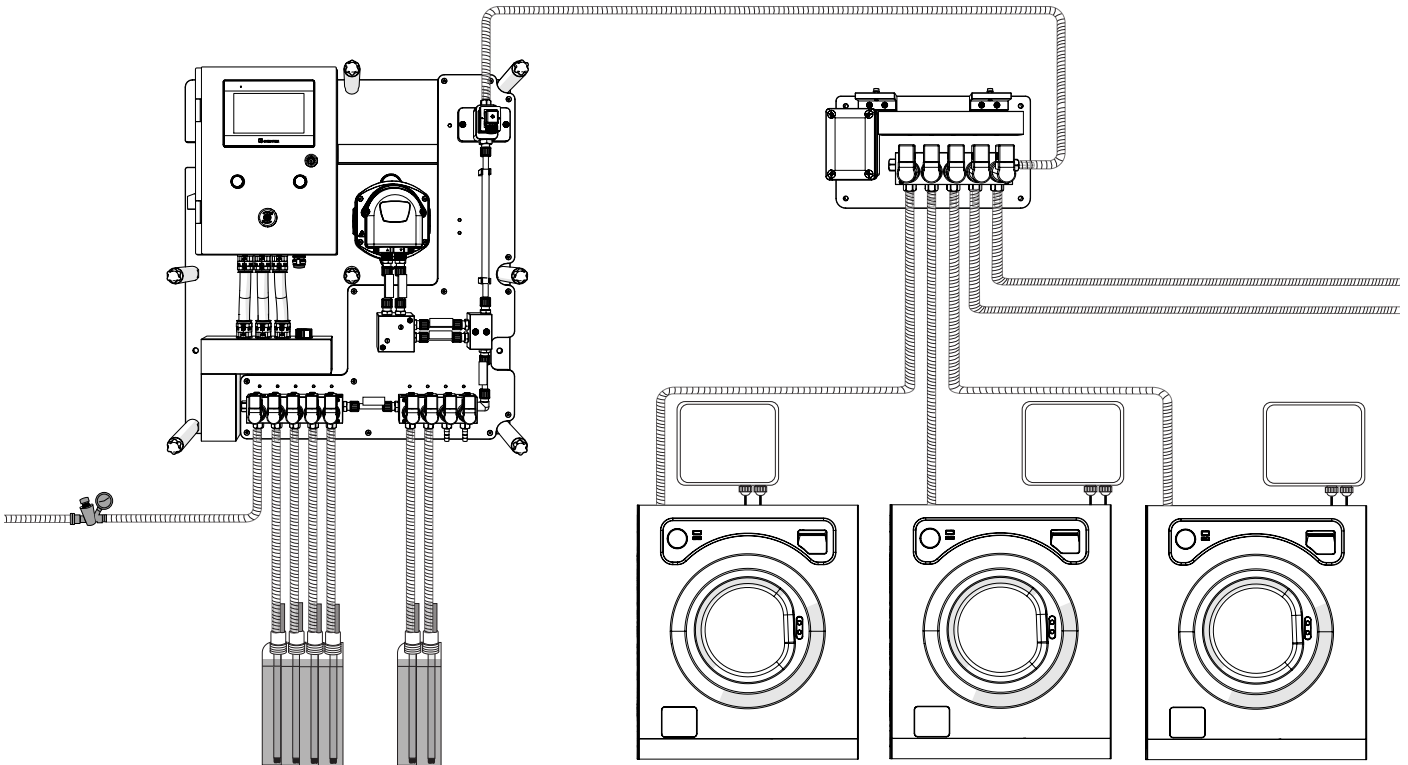
To simplify installation and whenever possible, it is advisable to place the distributor close to the washing machines.

## SIGNAL BOXES

This is the element used to collect the signals from the washers and send them to the system. We will use one signal box for each washing machine. The recommended location is on a wall near each washing machine. When compatible signal boxes also communicate to machines enabling machine pausing.

# INSTALLATION AND CONNECTIONS

## INTRODUCTION



This image reproduces the 'Standard' setup of a Multiplex unit with one channel, understanding "Channel" as a group of products that are injected into the same manifold and directed to a distributor (washing machines) or an injection (tunnel).

For the installation and commissioning of Multiplex, we recommend that you strictly follow the following "step by step" to avoid any issues. In the following sections, the individual points will be explained in detail.

Check that you have all the material, equipment and accessories. Check that everything is in good condition.

- 1 Lay out the installation and fix all the elements - equipment, distributor, communication boxes and the necessary installation material - to the wall.
- 2 Install pipes and cables using cable ties to ensure that they are securely fastened to avoid pressure surges.
- 3 Check the product piping to avoid any possible chokes that could cause an inconvenient flow of the product.
- 4 Connect all electrical cables - using ferrules, if possible - and all pipes - using metal clamps.
- 5 Install electricity and water supplies (and air, if required).
- 6 Communication: Check all communication box connections, configure each box and selector to identify which washer they correspond to. Disconnect the communication connectors leaving only the first box connected.
- 7 Check, before raising the circuit breaker, with a multimeter -tester- that the incoming voltage is **110-240 VAC / 50-60Hz**.
- 8 Supply power to the equipment and open the water supply (and air supply, if required).
- 9 Check that the supplies are adequate in terms of pressure and flow.

# INSTALLATION AND CONNECTIONS

## FIXING OF EQUIPMENT AND ACCESSORIES

Before beginning installation, ensure you have all necessary items and inspect them for any damage. Should you find any missing or defective components, refrain from installing them, as doing so could create a hazardous situation and void the warranty. Instead, return the equipment to the dealer in its original packaging. Installation of this system should only be carried out by qualified personnel in accordance with local regulations.

Identify a smooth, flat surface near the washing machines for installation. It's crucial to note that **suction points should not exceed 16 feet**, thus requiring sufficient space near the chosen point and below where the equipment will be mounted.

Avoid using elements from existing installations for new wiring. We recommend utilizing the material kits provided by Brightwell; consult our sales department for assistance. Regardless, all materials used must meet the specifications outlined in this manual.

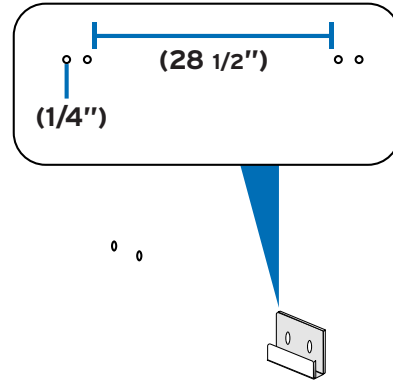
Begin by securely fixing the equipment to the wall, ensuring it is positioned vertically and level. Next, install the distributor as closely as possible to the washing machines. Finally, mount the communication boxes, placing one near each corresponding washing machine.

Exercise caution when fixing channels for pipe transportation to prevent excessively sharp bends.

# MOUNTING YOUR MULTIPLEX UNIT

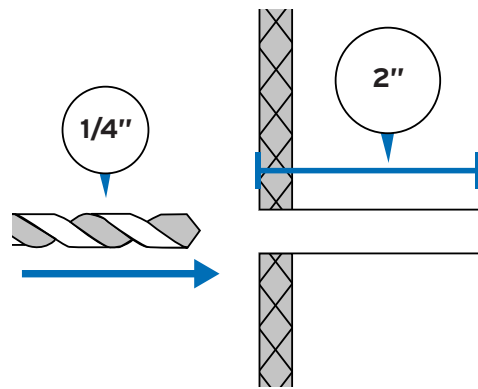
## STEP 1

Position your unit in the desired location and place the wall hooks against it. Space them approximately **28 1/2 inches** apart and mark the wall through the holes.



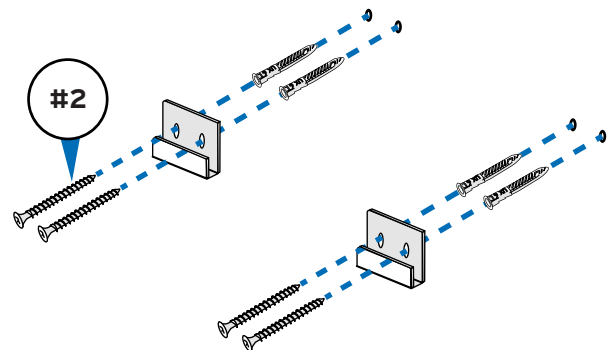
## STEP 2

Use a 1/4 inch drill bit to drill a 2 inch hole into the wall where you marked earlier.



## STEP 3

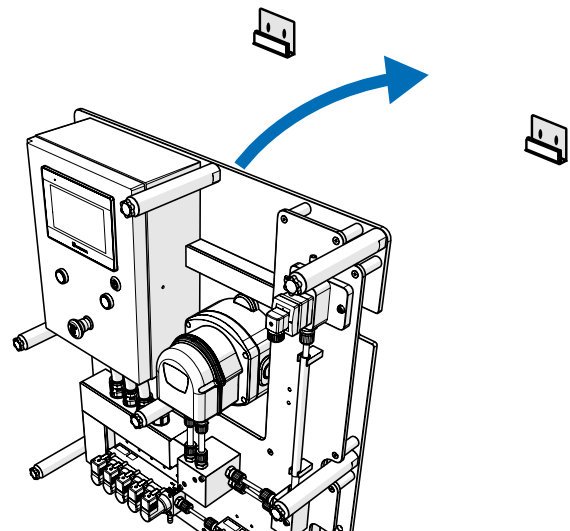
Use a Phillips #2 screwdriver to attach the mounting hooks onto the wall.



## STEP 4

**CAUTION:** This product is heavy and requires two or more individuals for safe installation. Follow all heavy lifting procedures to ensure your safety.

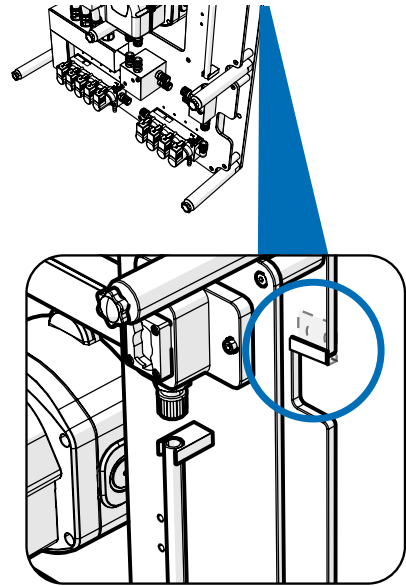
Lift the unit and use the hooks attached to the wall to mount it securely.



# MOUNTING YOUR MULTIPLEX UNIT

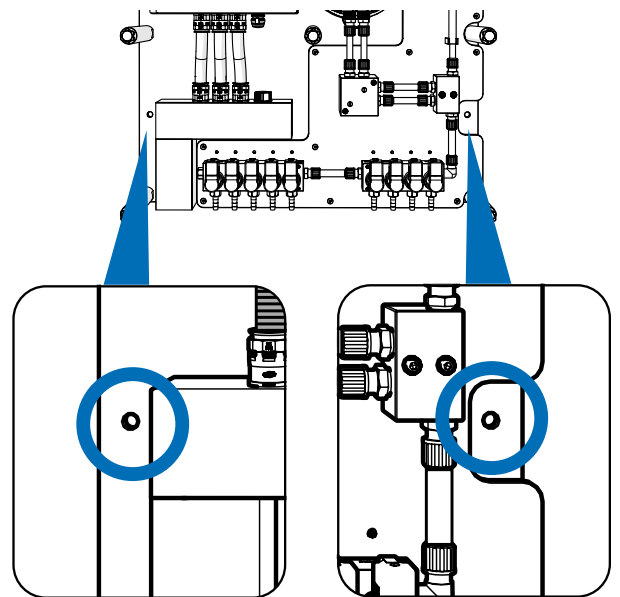
## STEP 5

Confirm that the Multiplex unit is securely attached to the mounting hooks before releasing it.



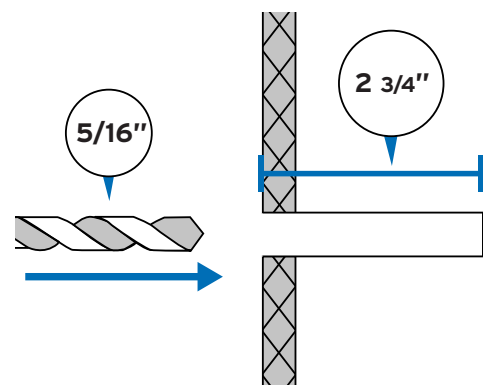
## STEP 6

Mark the main mounting holes located on either side of the unit here using a pen or similar device.



## STEP 7

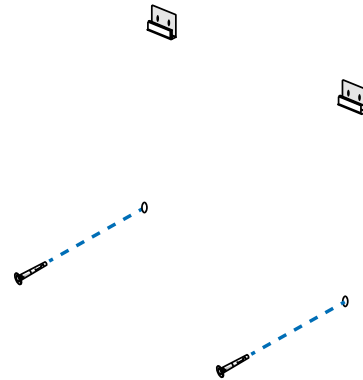
Safely remove the Multiplex unit and use a  $5/16$  inch drill bit to drill a  $2\ 3/4$  inch hole into the wall where you marked previously.



# MOUNTING YOUR MULTIPLEX UNIT

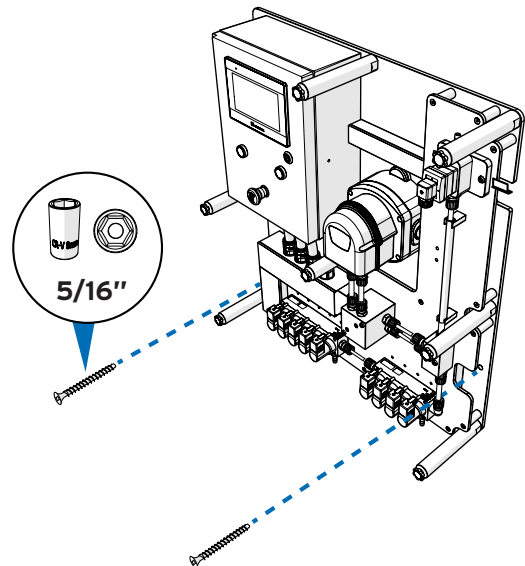
## STEP 8

Insert the wall plugs into the holes you drilled.



## STEP 9

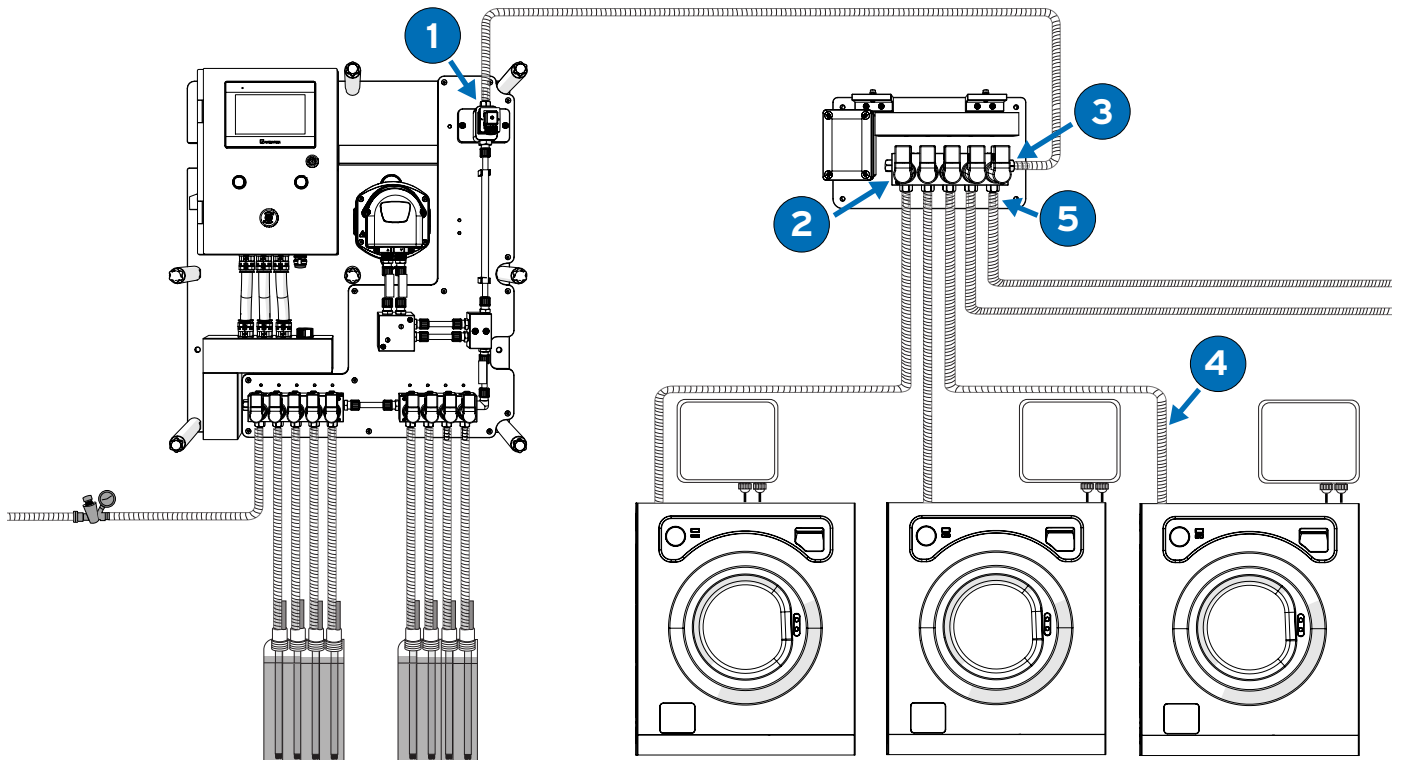
Place the screws into the mounting holes and secure with a **5/16 inch** hex bolt.





# CHEMICAL CONNECTION

## UNIT - DISTRIBUTOR - WASHING MACHINE CONNECTIONS



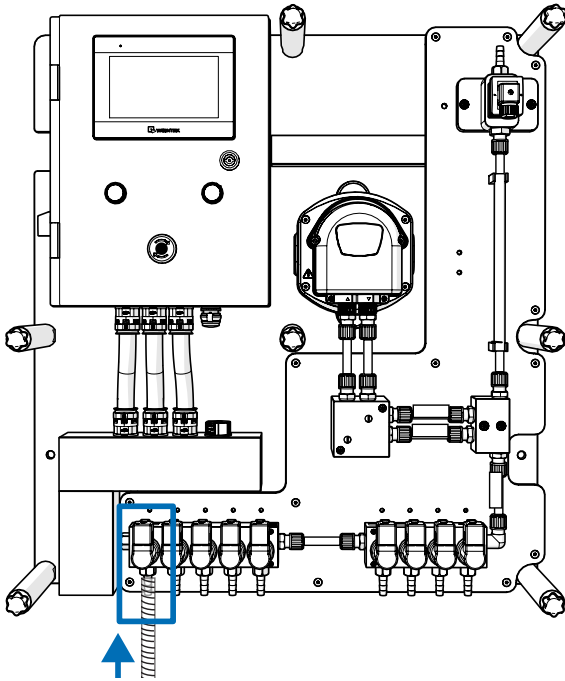
To connect equipment, distributor and washers, use **3/8" ID x 1/2" OD mesh PVC pipe** and stainless steel clamps.

Connect the outlet of the meter **1** with the inlet of the distributor **3** connect the outlets to the washing machines of the distributor **2** with the connection that each washing machine has for the chemical products **4** reserve the last solenoid valve **5** for the calibration system.

It is essential that the tube cannot be throttled. Place it in a channel where it lies flat and cannot hang down.

# CHEMICAL CONNECTION

## WATER CONNECTION



Connect the water supply to the leftmost solenoid valve on the central panel of the unit.  
Use 3/8" ID x 1/2" OD braided PVC pipe and stainless steel clamp.

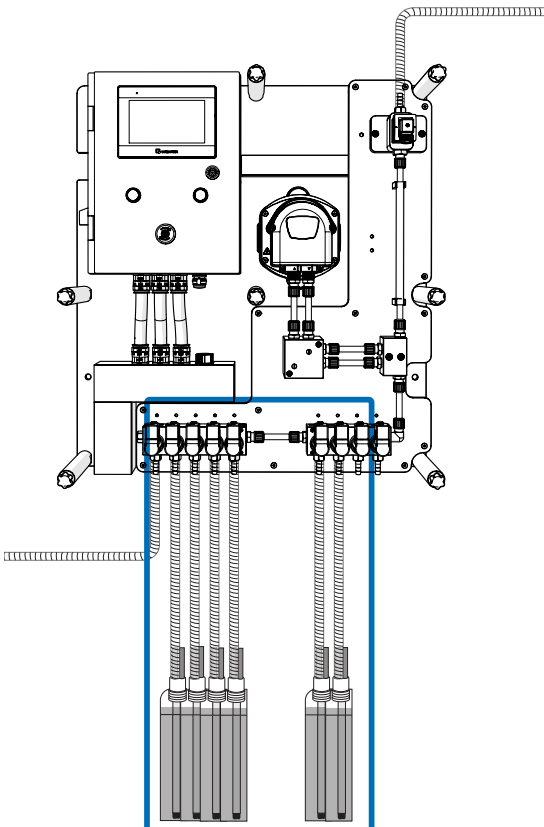


Please note that the unit requires **working pressure of 68 fl oz/min (min) and 338 fl oz/min (max) and a dynamic pressure range of 22 PSI (min) to 43 PSI (max)**. A booster tank is recommended whenever a consistent supply is not available.

We always recommend the installation of a pressure regulator.  
Please see the following page for Booster Tank setup.

Please note - Water supply must be connected to Inlet 1 only.

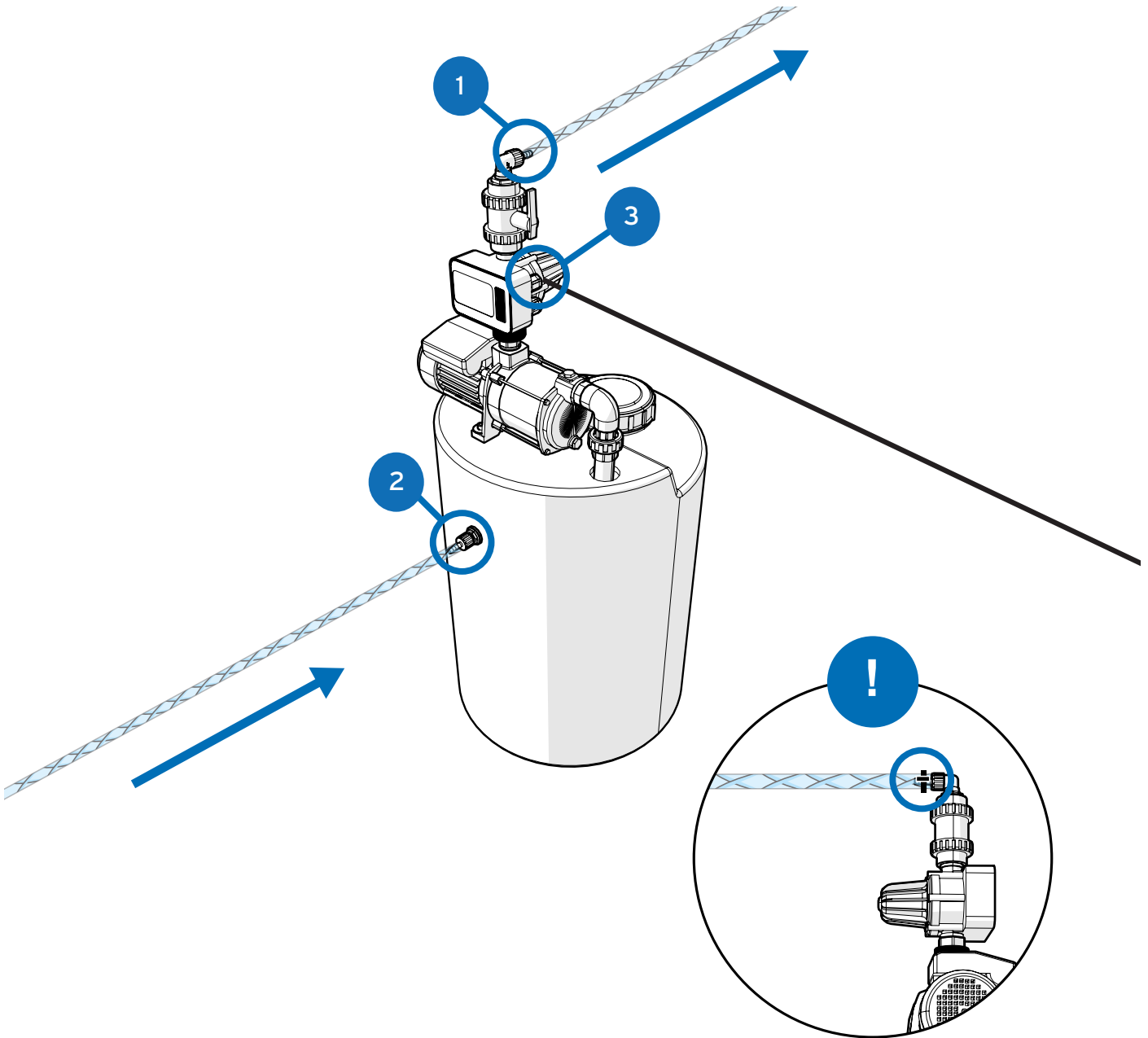
## CHEMICAL CONNECTIONS



Connect the various suction nozzles to the solenoid valves on the central panel using 3/8" ID x 1/2" OD braided PVC pipe. Use stainless steel clamps for this purpose.

**PLEASE NOTE - Inlet 1 is the water connection ONLY**  
Product 1 is connected to inlet 2  
Product 2 is connected to inlet 3  
etc.

# BOOSTER TANK CONNECTION (OPTIONAL)



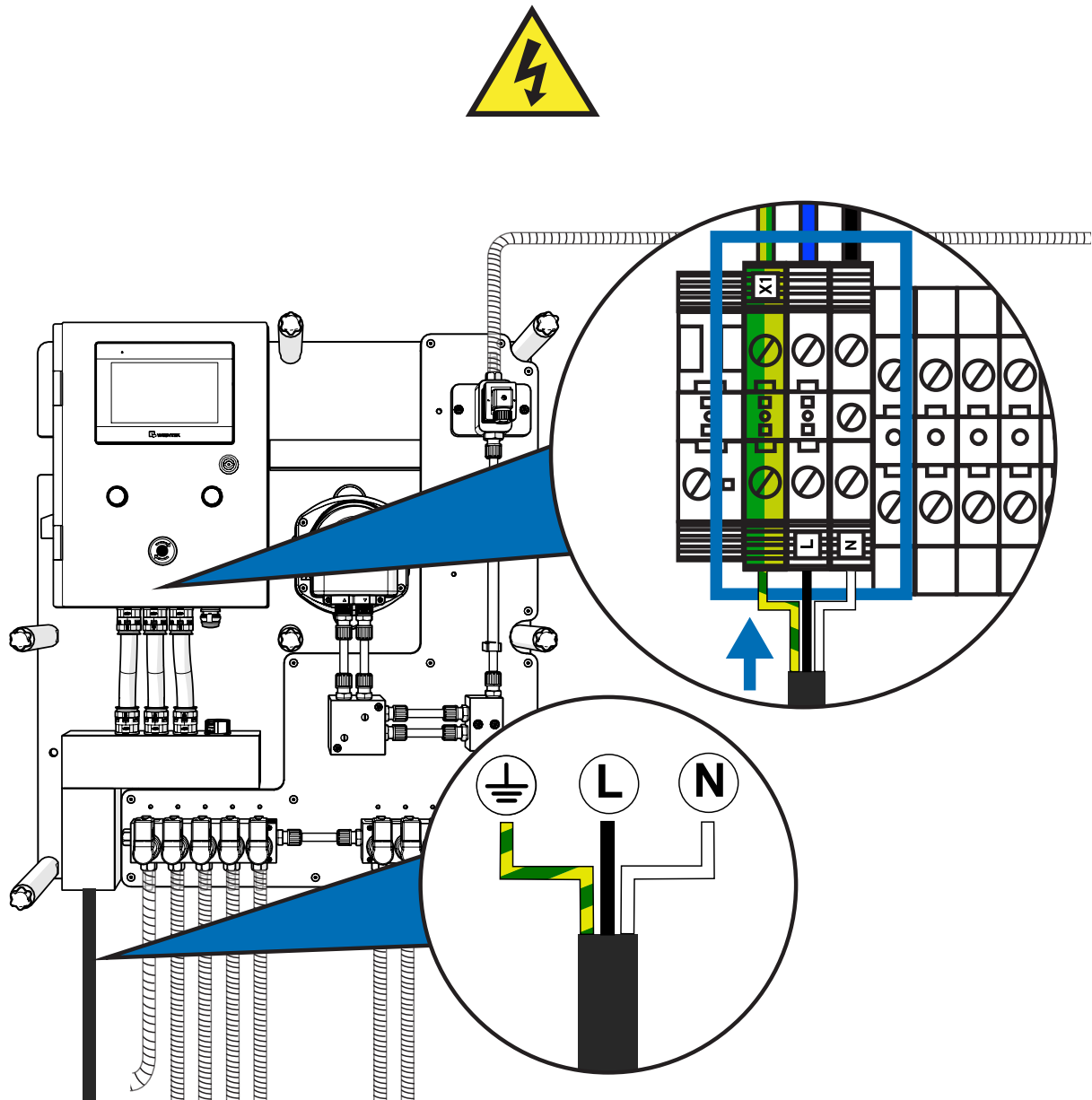
Please note that the unit requires a flow rate of **min 68 Fl oz per min - max 339 Fl oz per min** and a dynamic pressure range of **28 PSI (min) - to 44 PSI bar (max)**. A booster tank is recommended whenever a consistent supply is not available.

! Use zip ties or hose clamps on all water connections to avoid leaks.

Please note - If you do not use a booster tank performance values can not be guaranteed by Brightwell.

No.	Description
1	Water Outlet 3/8" (44 PSI regulated)
2	Water Inlet 3/8"
3	110 - 240 v Pump Input

# WIRING POWER FOR THE MULTIPLEX UNIT



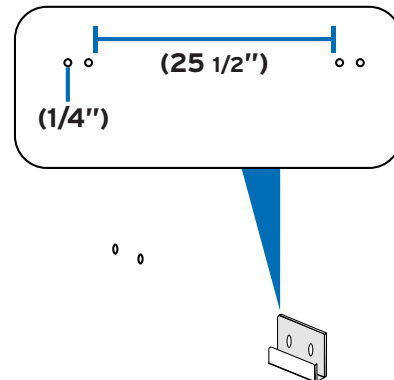
For the power supply of the equipment you must use **3x16 AWG cable**. Insert the cable through the channel located at the bottom left and use one of the cable glands to insert it safely inside the control cabinet. Connect to the terminals identified with **X1** found on the lower left of the connections.

The power supply must be suitably protected. Use a specific line for the power supply of the equipment.

# MOUNTING YOUR EXPANSION CHANNEL

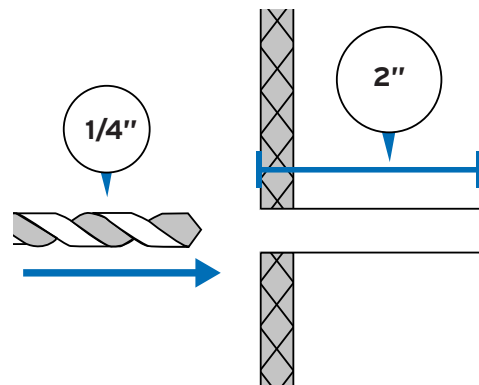
## STEP 1

Position your unit in the desired location and place the wall hooks against it. Space them approximately **25 1/2 inches** apart and mark the wall through the holes.



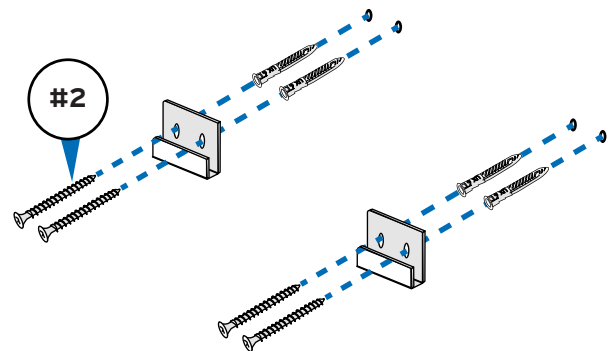
## STEP 2

Use a **1/4 inch** drill bit to drill a **2 inch** hole into the wall where you marked previously.



## STEP 3

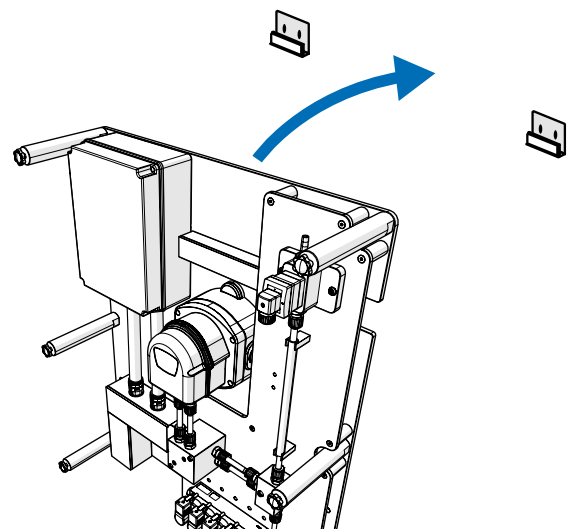
Use a **Phillips #2** screwdriver to attach the mounting hooks onto the wall.



## STEP 4

**CAUTION:** This product is heavy and requires two or more individuals for safe installation. Follow all heavy lifting procedures to ensure your safety.

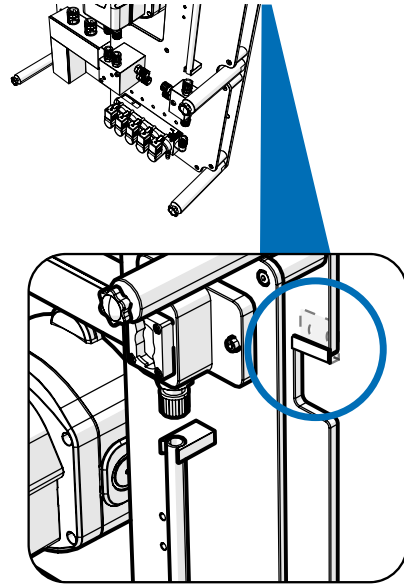
Lift your unit and use the hooks attached to the wall to mount it securely.



# MOUNTING YOUR EXPANSION CHANNEL

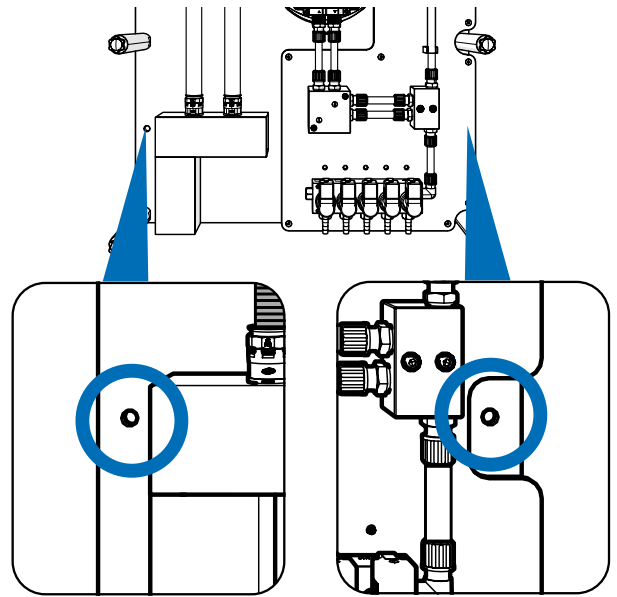
## STEP 5

Confirm that the Expansion Channel is securely attached to the mounting hooks before releasing it.



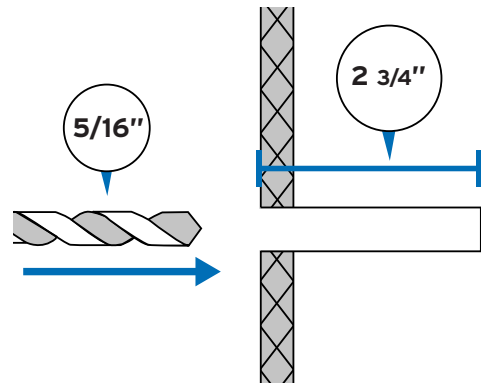
## STEP 6

Mark the main mounting holes located on either side of the unit here using a pen or similar device.



## STEP 7

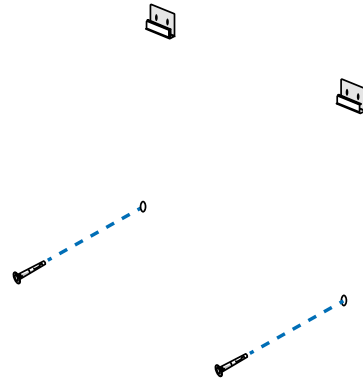
Safely remove the Expansion Channel and use a **5/16 inch** drill bit to drill a **2 3/4 inch** hole into the wall where you marked previously.



# MOUNTING YOUR EXPANSION CHANNEL

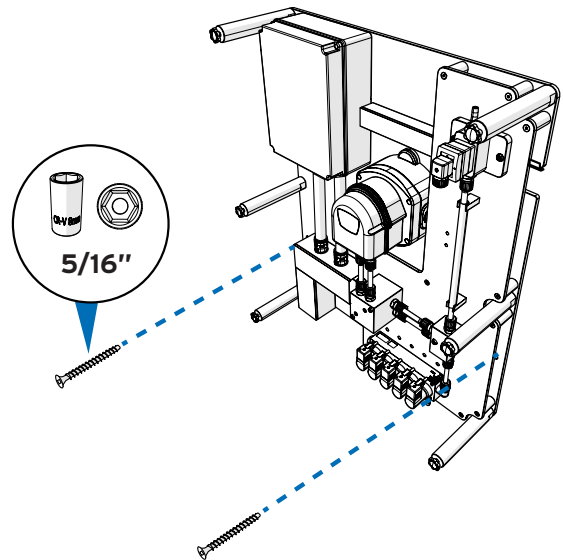
## STEP 8

Insert the wall plugs into the holes you drilled.

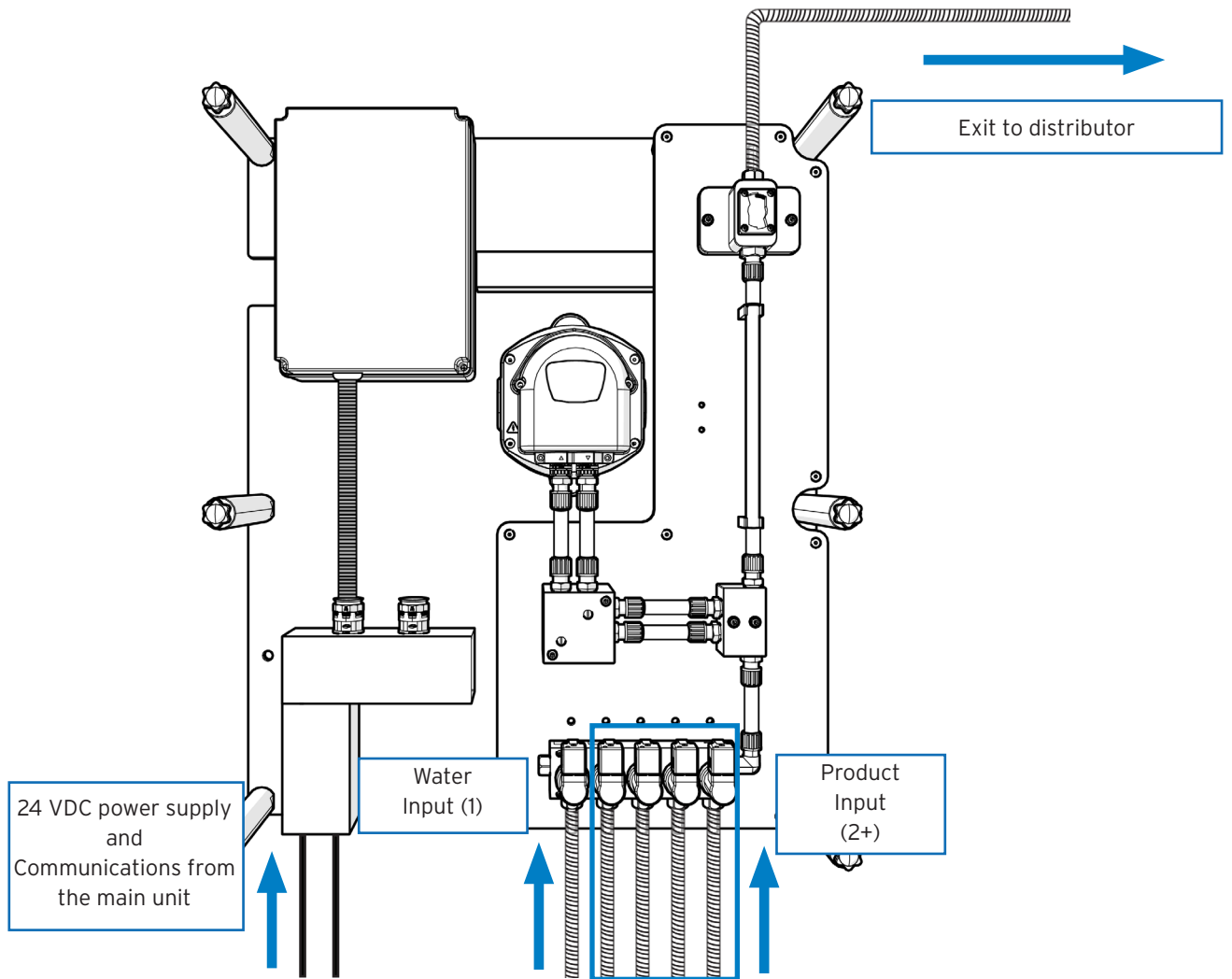


## STEP 9

Place the screws into the mounting holes and secure them with a **5/16 inch** hex bolt.

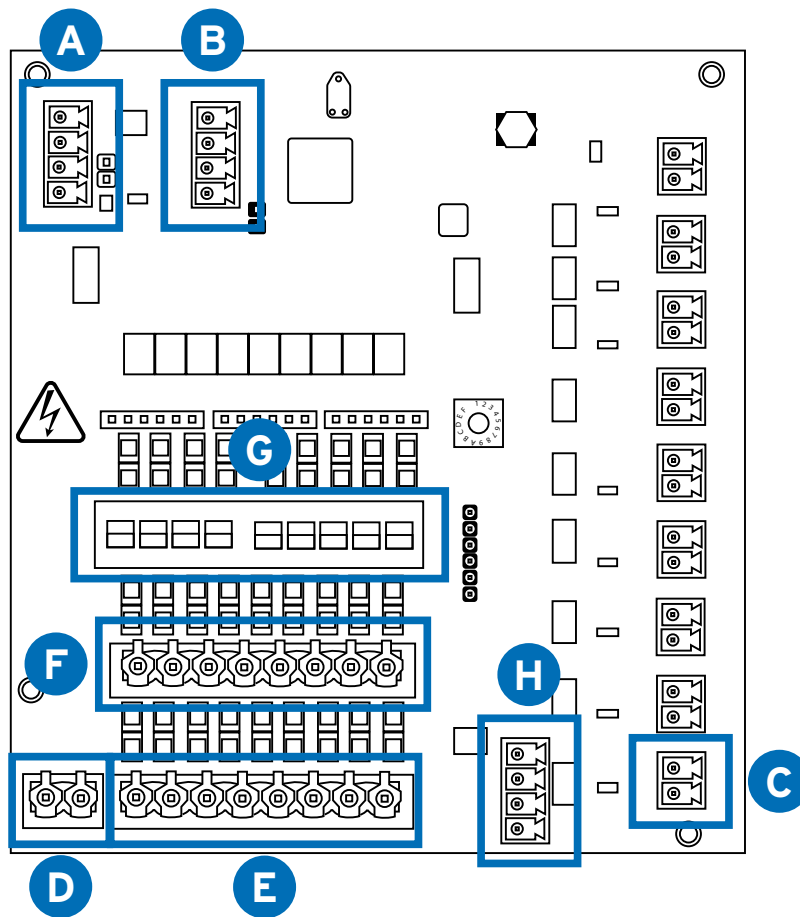


# MOUNTING YOUR EXPANSION CHANNEL





# PCB CONNECTIONS FOR YOUR SIGNAL BOX



Connector	Description
A	COMMS IN
B	COMMS OUT
C	MACHINE PAUSE
D	COMMON NEUTRAL *
E	SIGNAL/TRIGGER INPUTS *
F	ISOLATED NEUTRAL *
G	COMMON OR ISOLATED DIP SWITCH SELECTOR
H	FORMULA SELECT CONNECTOR

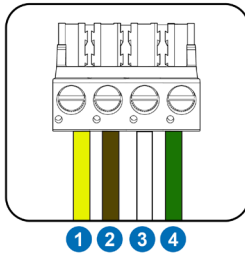
\* For the connection between the signal box and laundry machine, you'll need to provide a cable with the correct number of conductors for both signal and neutral transmission.

# SIGNAL BOX CONNECTOR WIRING GUIDE

## A

### COMMS IN

(From the main dispensing unit to the signal box)

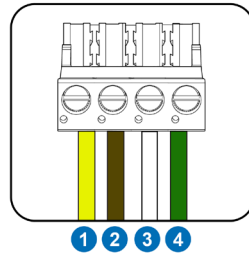


No.	Description
1	24 V +
2	24 V -
3	COMMS A
4	COMMS B

## B

### COMMS OUT

(To the next signal box in the chain)

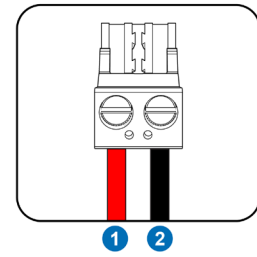


No.	Description
1	24 V +
2	24 V -
3	COMMS A
4	COMMS B

## C

### VALVE OUTPUTS

(24 VDC)

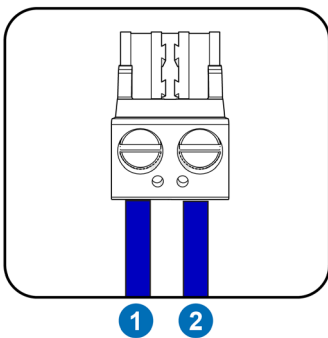


No.	Description
1	24 V +
2	24 V -

## D

### COMMON NEUTRAL \*

(Common neutral input)

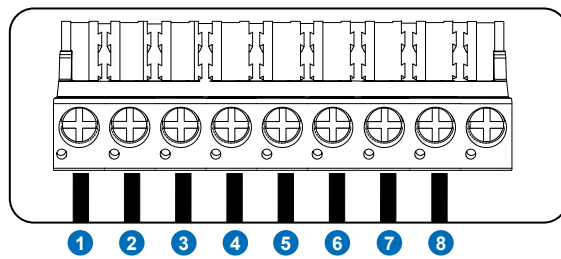


No.	Description
1	COMMON NEUTRAL
2	COMMON NEUTRAL

## E

### SIGNAL/TRIGGER INPUTS \*

(Signal inputs from machine)  
(24 - 240 VDC)



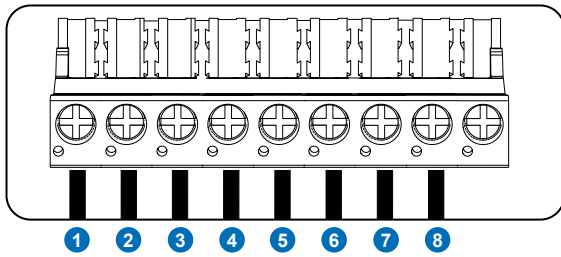
No.	Description
1	SIGNAL/TRIGGER INPUT 1
2	SIGNAL/TRIGGER INPUT 2
3	SIGNAL/TRIGGER INPUT 3
4	SIGNAL/TRIGGER INPUT 4
5	SIGNAL/TRIGGER INPUT 5
6	SIGNAL/TRIGGER INPUT 6
7	SIGNAL/TRIGGER INPUT 7
8	SIGNAL/TRIGGER INPUT 8

# SIGNAL BOX CONNECTOR WIRING GUIDE



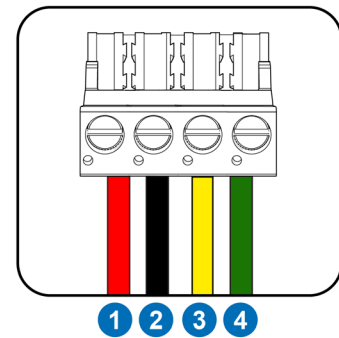
## ISOLATED NEUTRAL INPUTS \*

(Neutral inputs for isolated signals)  
(24 - 240 VDC)



## FORMULA SELECT INPUT

(Formula Select Input)



No.	Description
1	ISOLATED NEUTRAL SIGNAL INPUT 1
2	ISOLATED NEUTRAL SIGNAL INPUT 2
3	ISOLATED NEUTRAL SIGNAL INPUT 3
4	ISOLATED NEUTRAL SIGNAL INPUT 4
5	ISOLATED NEUTRAL SIGNAL INPUT 5
6	ISOLATED NEUTRAL SIGNAL INPUT 6
7	ISOLATED NEUTRAL SIGNAL INPUT 7
8	ISOLATED NEUTRAL SIGNAL INPUT 8

No.	Description
1	24 V +
2	24 V -
3	COMMS A
4	COMMS B

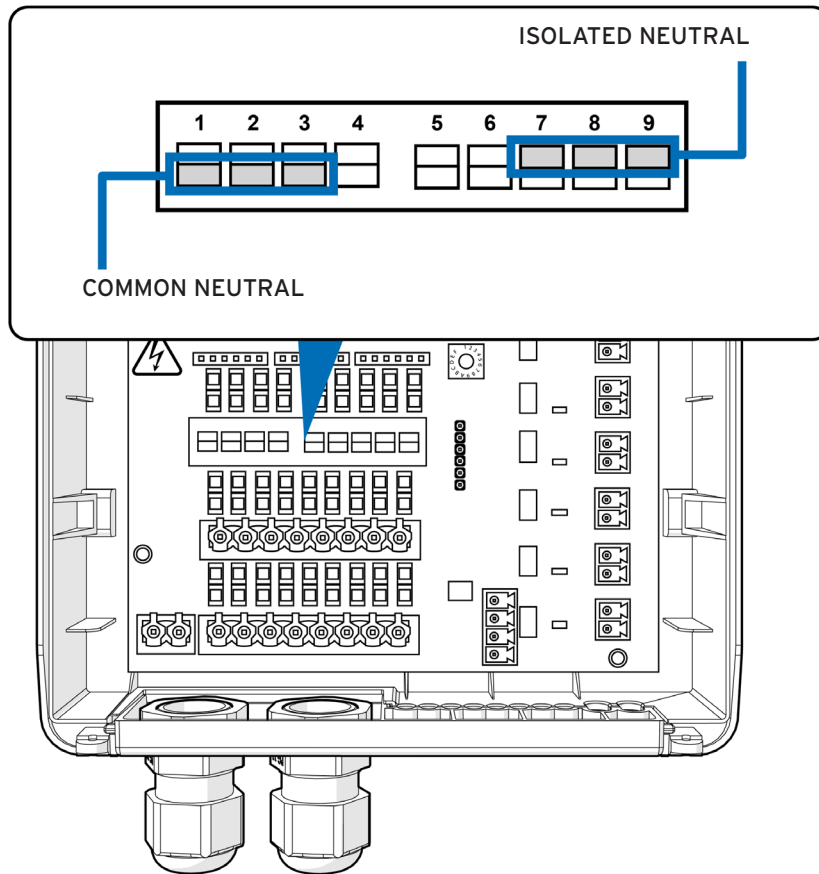
# SIGNAL BOX CONNECTOR WIRING GUIDE

## DIP SWITCH CONFIGURATION AND SETUP

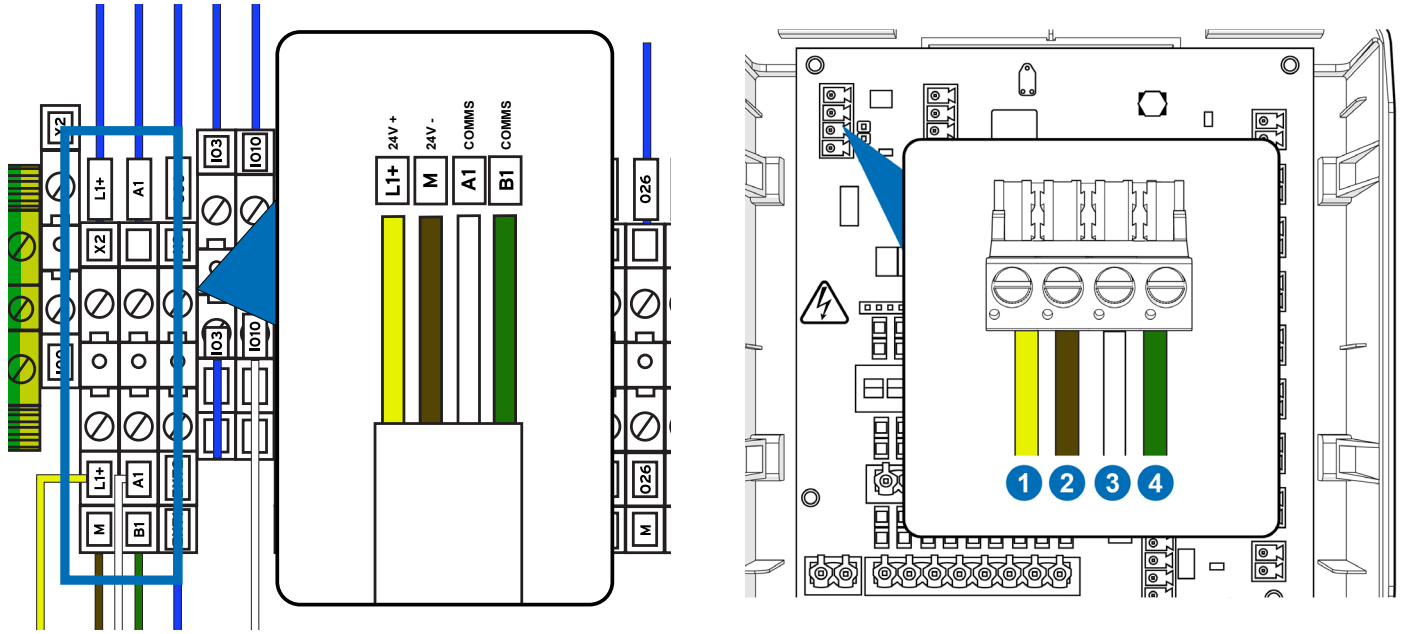
To configure the neutral connections, utilize the dip switches positioned above the signal inputs. Set the dip switch to either the **COMMON** or **ISOLATED** position as required. For isolating a trigger signal, move the dip switch to the **TOP** position. Conversely, if it shares a common neutral, move it to the **BOTTOM** position. Here's an example:

- Trigger 1: Isolated - Dip switch 1 set to **TOP**
- Trigger 2: Common - Dip switch 2 set to **BOTTOM**

## DIAGRAM



# COMMS WIRING SIGNAL BOX



To connect the external communication box to the unit, connect terminal X2 on the main machine to terminal X1 on the communication box.

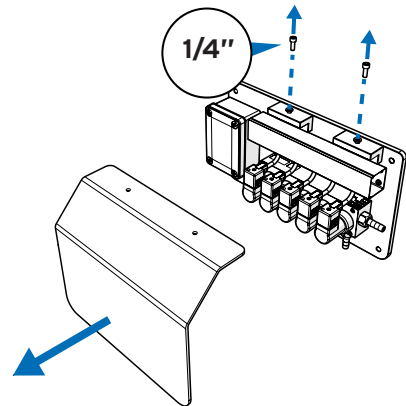
No.	Description
L1+	24 V +
M	24 V -
A1	COMMS A
B1	COMMS B

No.	Description
1	24 V +
2	24 V -
3	COMMS A
4	COMMS B

# CONNECTING YOUR EXTERNAL DISTRIBUTOR

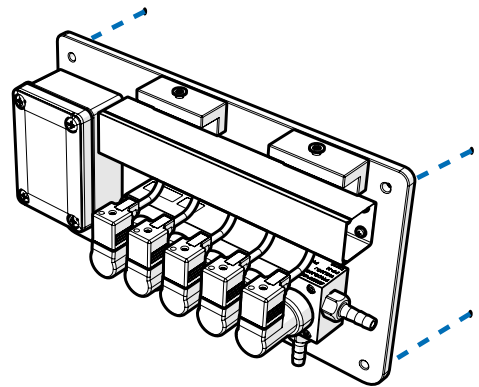
## STEP 1

To mount your external distributor unit, please remove the cover using a **1/4 inch** hex bolt.



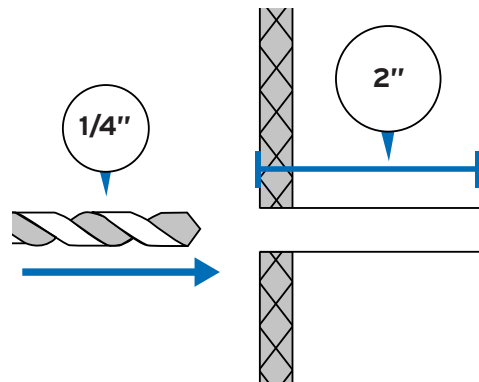
## STEP 2

Place the external distributor on the surface where you want to mount it. Use a pen or similar device to mark the mounting holes.



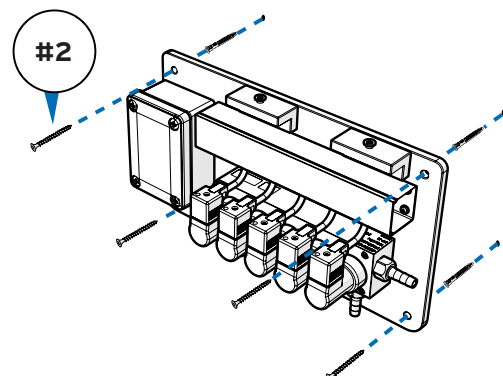
## STEP 3

Use a **1/4 inch** drill bit to drill a **2 inch** hole into the wall where you marked previously.

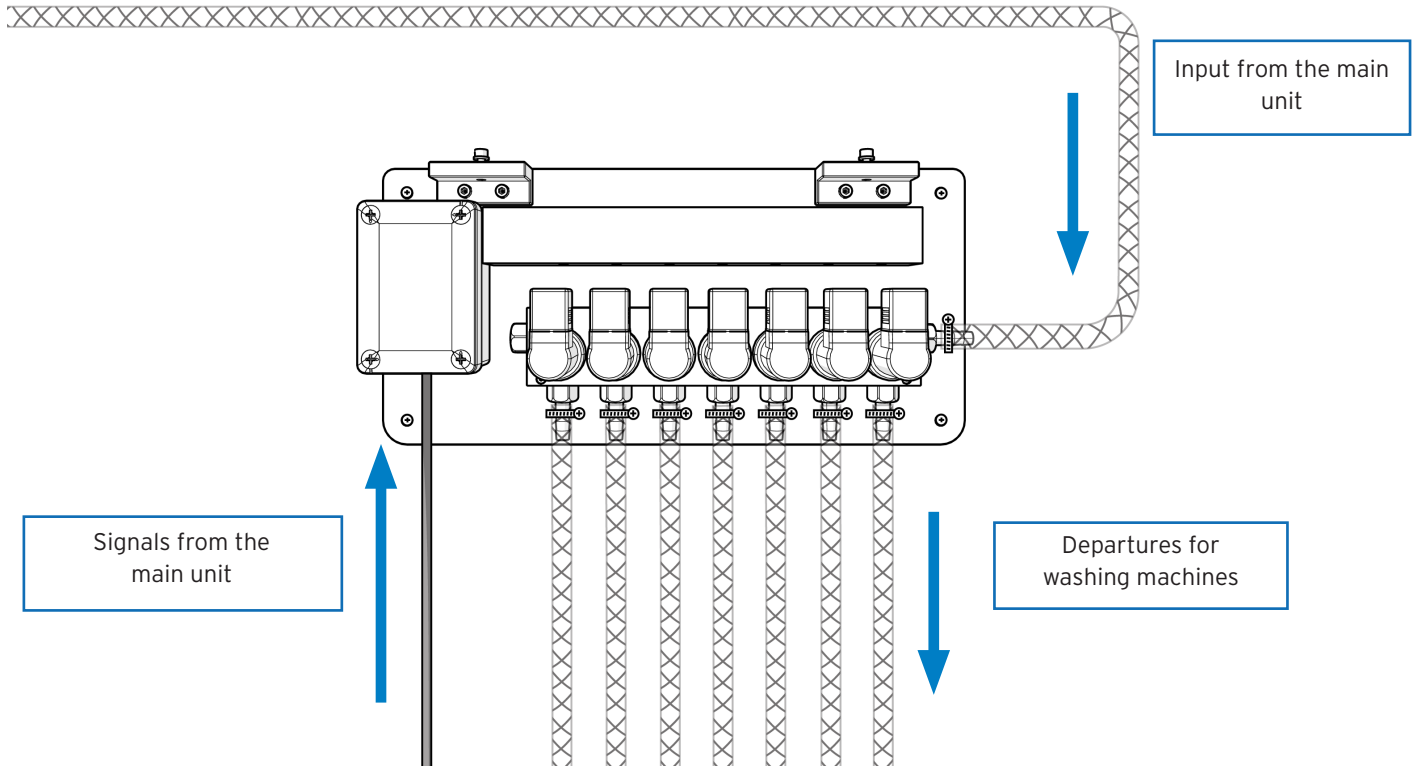


## STEP 4

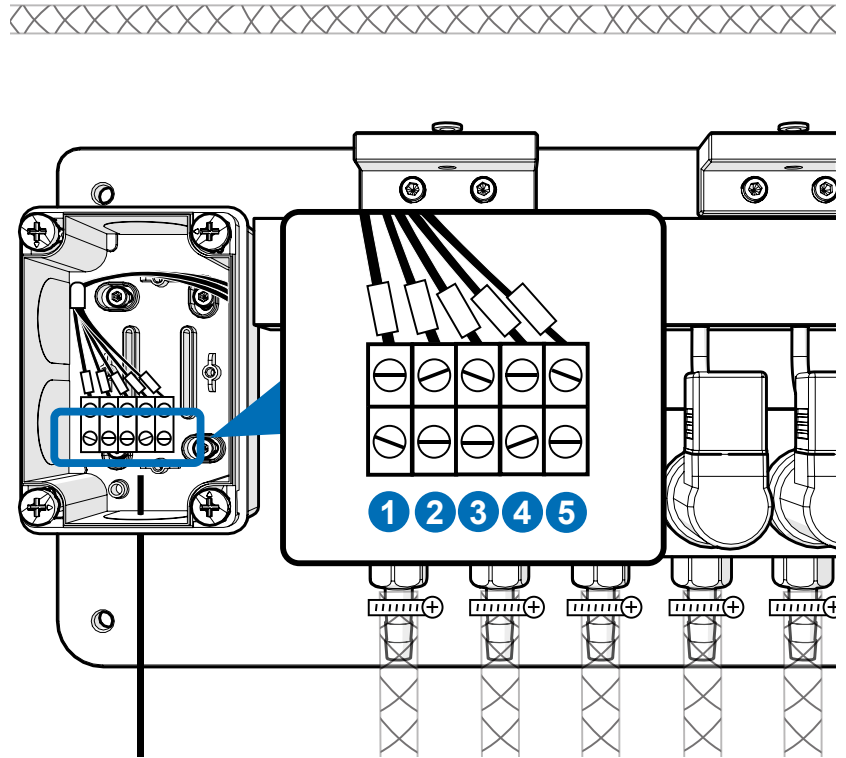
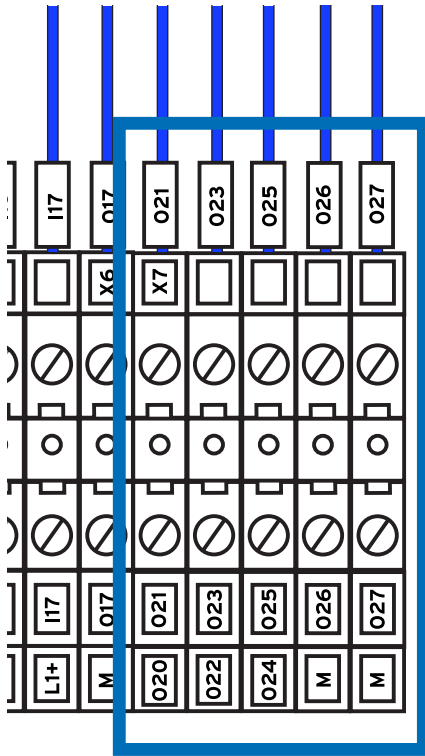
Position the external distributor on the desired surface for mounting. Then, use a **Phillips #2** screwdriver to attach it to the wall.



# CONNECTING YOUR EXTERNAL DISTRIBUTOR



# SIGNAL WIRING EXTERNAL DISTRIBUTOR

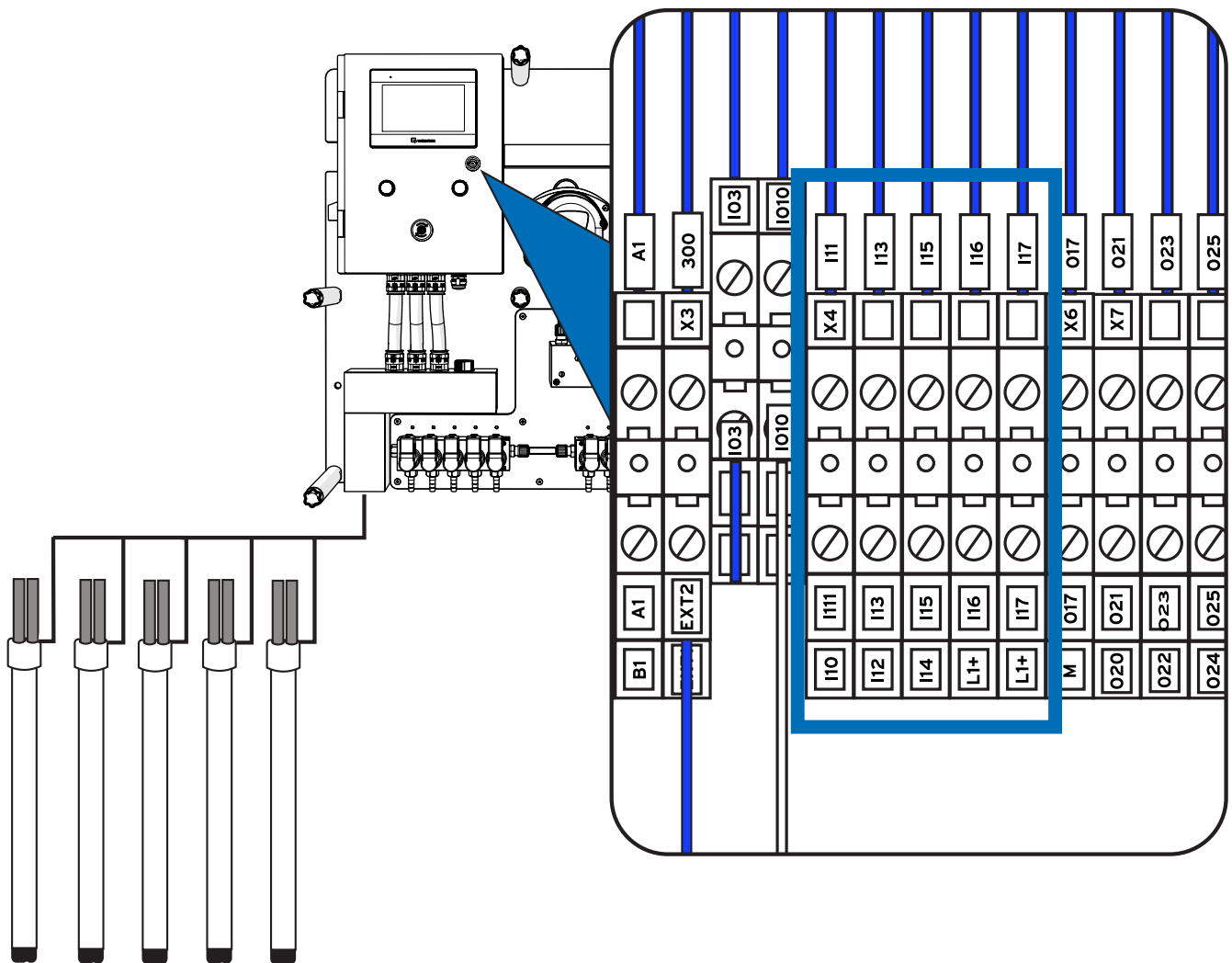


Use a 7x18 AWG cable for the connection between the control cabinet and the distributor. Connect the distributor to terminal block X7. Each terminal connection corresponds to the outlets numbered from left to right, with the number dependent on the order. Below is the wiring diagram for the main unit.

Number	Machine Number
020	MACH 1
021	MACH 2
022	MACH 3
023	MACH 4
024	MACH 5
025	MACH 6
026	MEASURING VASE
M	M



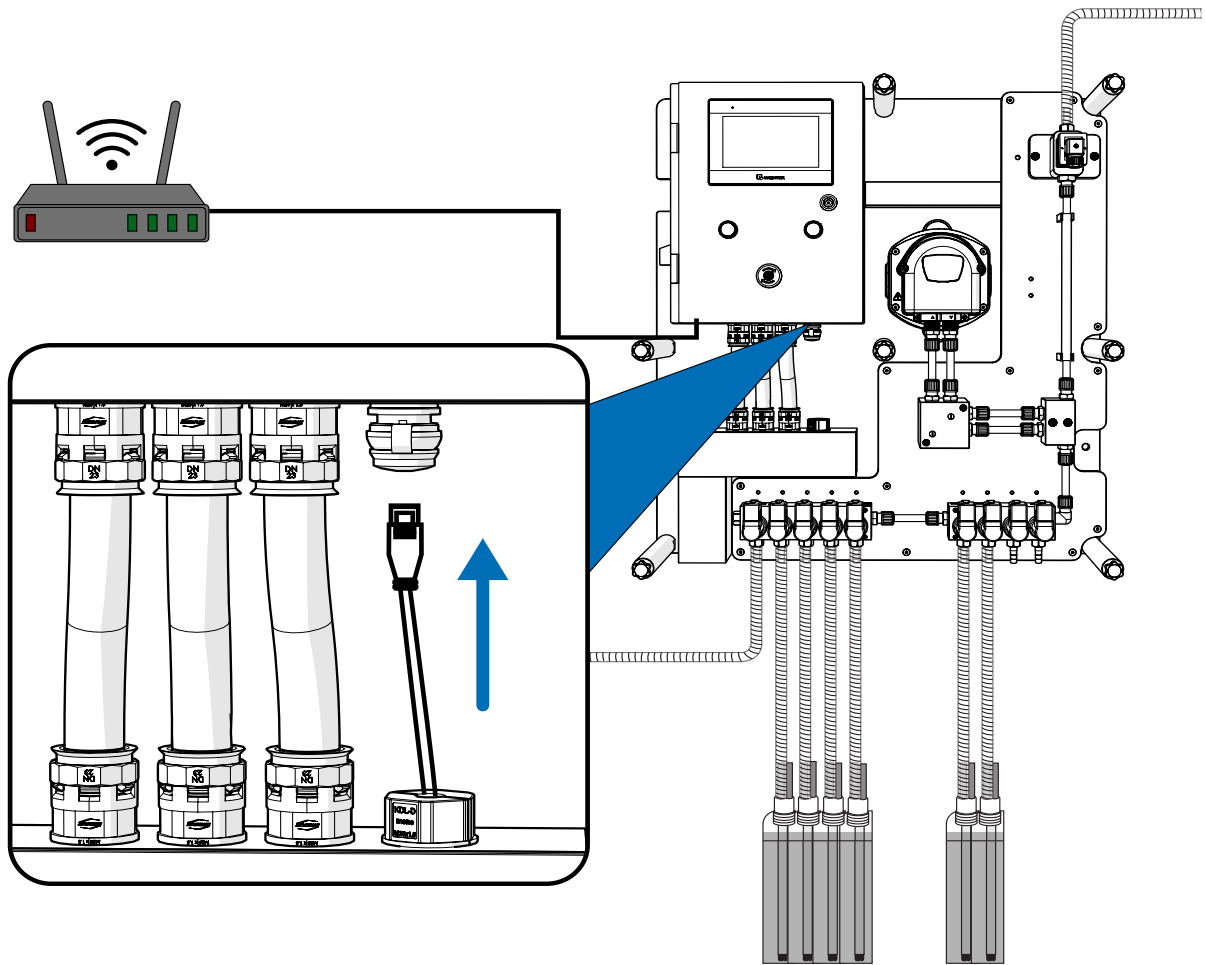
# ELECTRICAL WIRING SUCTION RODS



To connect the external suction rods to the machine, utilize inputs I10 to I17, as indicated above.

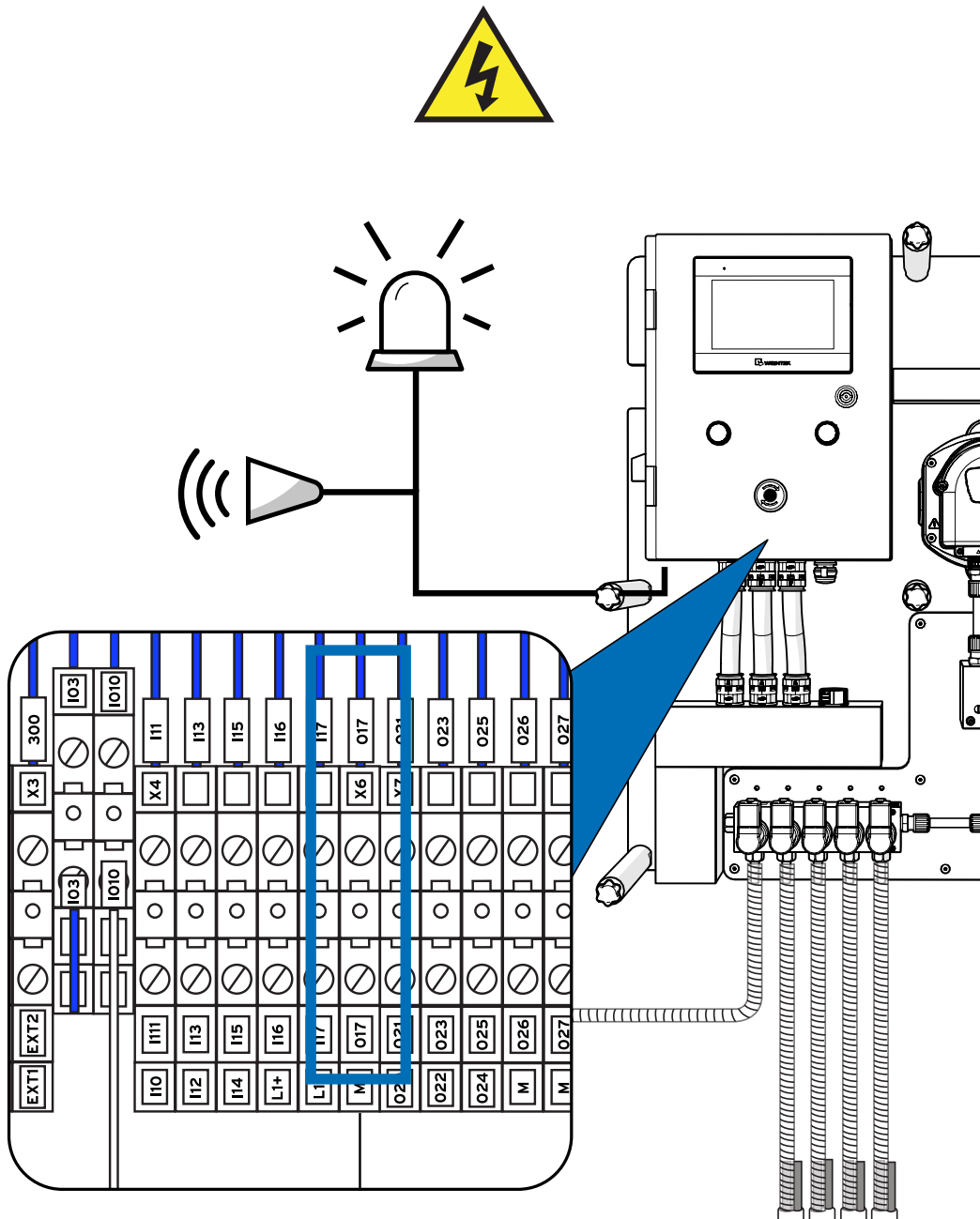
Connection number	Rod number
I10	SUCTION ROD 1
I11	SUCTION ROD 2
I12	SUCTION ROD 3
I13	SUCTION ROD 4
I14	SUCTION ROD 5
I15	SUCTION ROD 6
I16	SUCTION ROD 7
I17	SUCTION ROD 8
L1+	COMMON 24VDC

# CONNECTING YOUR UNIT TO THE INTERNET



To connect your unit to the internet, simply plug an Ethernet cable into any router through the connector located on the bottom of the main box.

# ELECTRICAL CONNECTION TO EXTERNAL ALARM

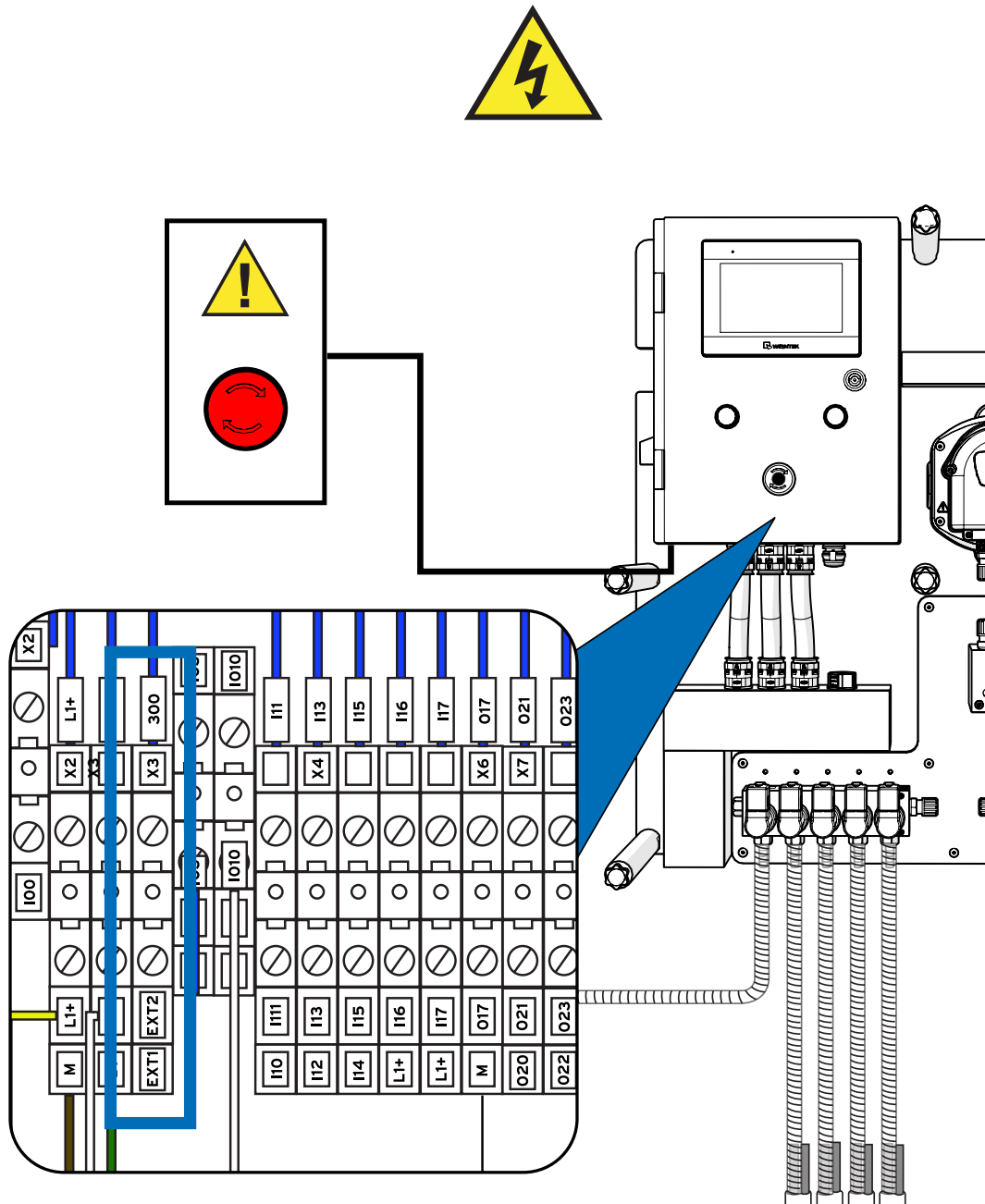


To connect an external alarm or warning light to the system, utilize slot X6 as depicted above.

Connection number	Rod number
X6	EXTERNAL ALARM
O17	24VDC (+)
M	(-)

\*The alarm must be 24VDC

# ELECTRICAL CONNECTION EMERGENCY STOP



To connect an emergency stop button to your unit, you can use the EXT1 and EXT2 connectors slot shown above in series.

## Connection number

EXT1

EXT2

## Shutdown number

EXTERNAL EMERGENCY SHUTDOWN 1

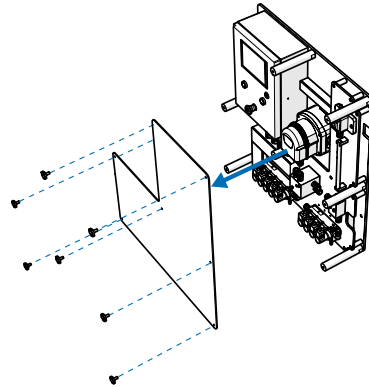
EXTERNAL EMERGENCY SHUTDOWN 2

IF NO EMERGENCY STOP IS CONNECTED, LEAVE THE JUMPER EXT1-EXT12 CONNECTED.

# REPLACING A VALVE ON YOUR MULTIPLEX SYSTEM

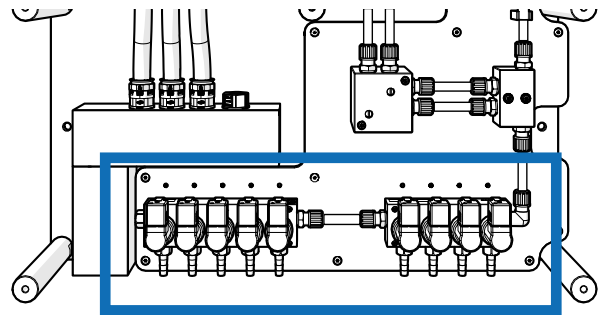
## STEP 1

To replace a valve on your Multiplex system remove the front cover from the unit rotating the cover screws anti clockwise. Placing the cover in a safe location.



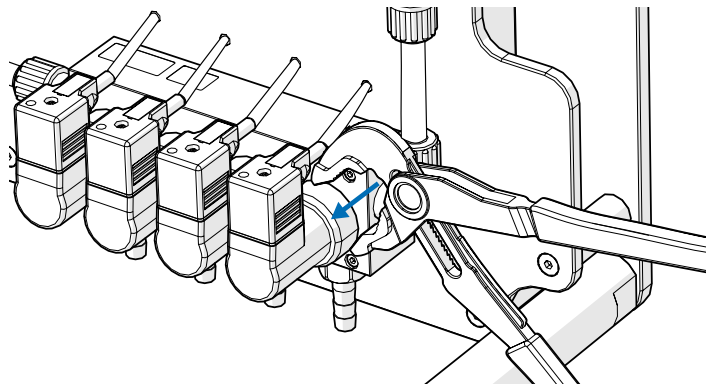
## STEP 2

Locate the valve you want to replace located at the bottom of the unit.



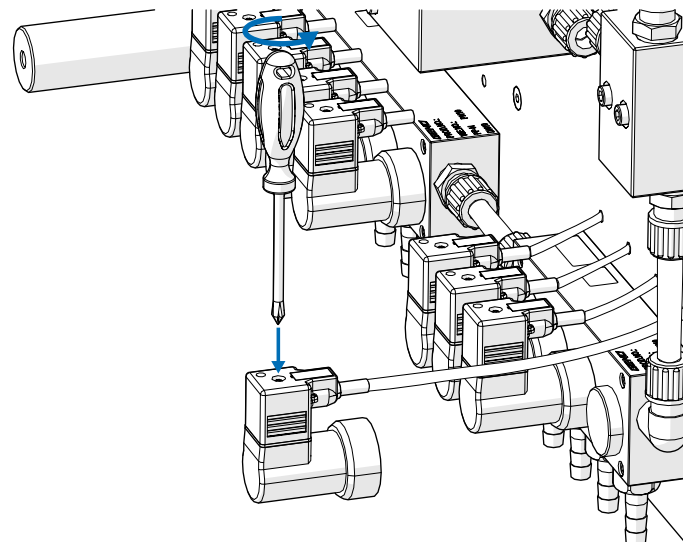
## STEP 3

Use adjustable pliers (or similar tool) too loosen the valve.



## STEP 4

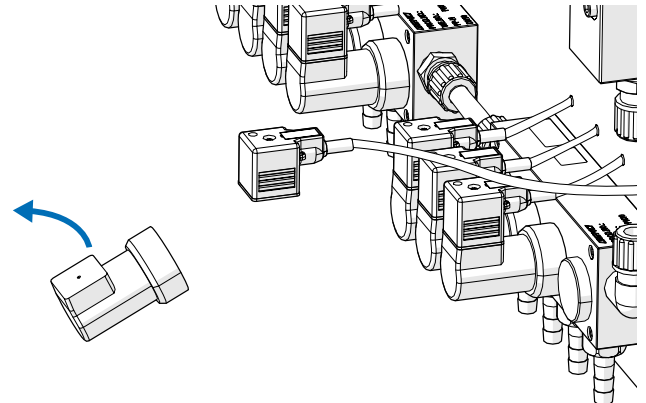
Use a screwdriver to disconnect the connector on the top of the valve.



# REPLACING A VALVE ON YOUR MULTIPLEX SYSTEM

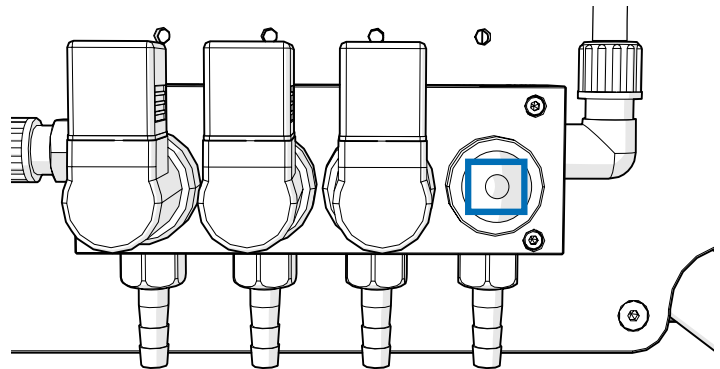
## STEP 5

Remove the valve and dispose of safely.



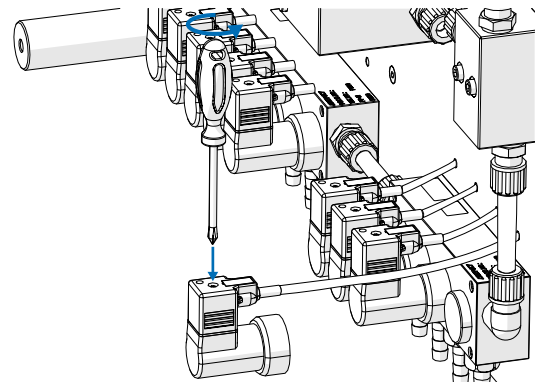
## STEP 6

After the valve has been removed you can check for and residue that may have built up from the chemicals. You can remove this easily with a zip tie or something similar.



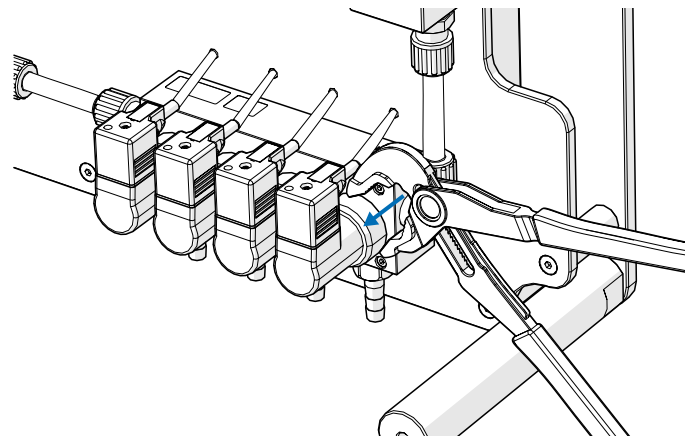
## STEP 7

Use a screwdriver to reconnect the connector to the top of the valve.



## STEP 8

Use the adjustable pliers from before to securely attached the new valve. Confirm this is tightly attached to avoid leakage.



# MAINTENANCE

## ON EACH MAINTENANCE VISIT

**Visual Check:** Inspect all connections for leaks or product residues.

**Alarms:** Access the list of alarms via the webserver or the screen interface. If any particular alarm is noted on one or more days, prioritize addressing it.

## EVERY 6 MONTHS

**Visual Check:** Look for leaks or product residues at any of the connections.

**Alarms:** By connecting to the webserver or by screen, look at the list of alarms of the equipment. If you notice a particular alarm on one or more days, focus on it.

**Calibration:** Calibrate the products again. Thermal changes affect the viscosity of the product and it is possible that the calibration is not adjusted.

## EVERY YEAR

If the equipment operates regularly without seasonal shutdowns, ensure that the suction lines are in good condition. It is recommended to replace the suction line for alkaline products to prevent excessive hardening of the tubes and the risk of breakage.

If the equipment is only used during the summer season, it is important to fill all lines with water at the end of the season, including the suction lines. This helps minimize the effects caused by contact with chemicals and prevents future problems.